



2022 FASTENERS

www.ecko.co.nz

CONTENTS

- 1 COLLATED NAILS**
D Head, Round Head 34° Paper Collated
- 3 HAMMAHAND® COIL NAILS**
Jolt Head & Round Head
- 5 BRADS**
15 & 16 Gauge Brads
- 9 STAPLES**
140 Series, Fence Batten Staples
- 11 T-REX17® SCREWS**
Batten Screws, JoltScrew, Purlin Screws
- 15 T-REX17® SCREWS**
Decking Screws
- 20 T-REX17® SCREWS**
TimbaTX® Multi-Purpose Screws
- 23 T-REX17® SCREWS**
Construction Screws, Self-Drilling Screws
- 33 BOLT & NUT**
316 Stainless Steel
- 36 THREADED ROD**
316 Stainless Steel
- 36 SQUARE WASHER**
HD Galvanised & 316 Stainless Steel
- 37 LOOSE NAILS**
Construction Screws, Self-Drilling Screws
- 55 STATEMENT**
Product Statement, Product Test Report, Endorsement



Makes Your Job Easier.

ECKO Fastening Systems is a kiwi owned & operated company specialising in innovative systems that helps builders, manufacturers and industrial customers in this competitive Fastening market. Our outstanding range of products included the HAMMAHAD® Weatherboard Nailing Systems, Joist Hanger Nailer, T-REX17® Screws Series and MultiCell® Fuel Cell.
www.ecko.co.nz



Sustainability

Our goal of a sustainable business strategy is to make a positive impact on our community and environment. From taking care and retaining our team members, building up strong and resilient relationship with our customers, to making our packaging with recyclable or compostable materials.

Technical Support

Email info@ecko.co.nz
Phone 09 279 0210
Address 17 Carpenter Road,
East Tamaki, Auckland 2013
New Zealand

Find Us

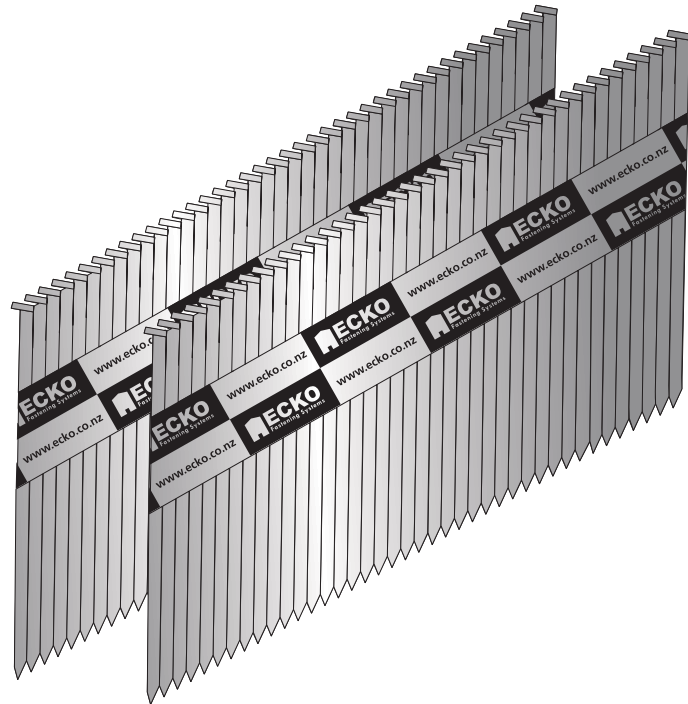
www.ecko.co.nz
Instagram @eckofasteners
Facebook @eckofasteners
LinkedIn @eckofasteningssystem



FRAMING NAILS

34° PAPER COLLATED

D Head & Round Head - Bright, OutDoor Galv & 304 S/Steel



Features & Benefits

HEAD

D Head & Round Head

COLLATION

Paper collated

FINISH

Bright, OutDoor Galv & 304 S/Steel



GAS HANDY PACK

Handy Pack
+ 1 fuel cell

GAS PACK

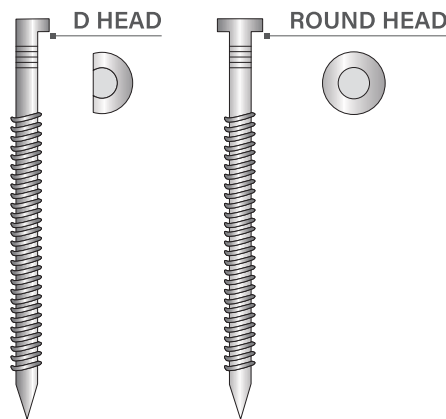
Handy Pack
+ 3 fuel cells

APPLICATIONS

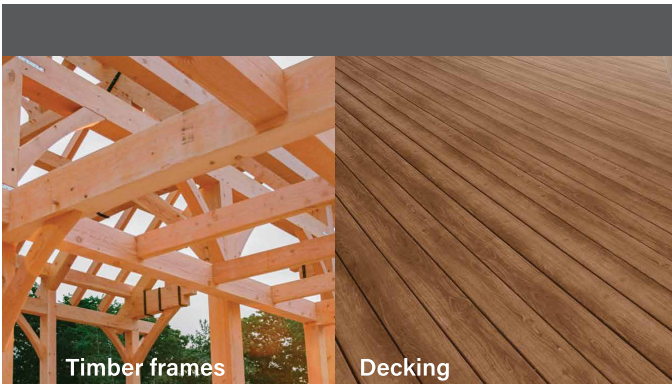
Framing, Trusses, Subflooring
J frame, Decking, Fencing

PACK SIZE

Available in Gas & Gasless Pack



SUITABLE FOR MAJOR AIR, GAS AND BATTERY FRAMERS



TO SUIT
ECKO FrameTec90™
Construction Air Framer
ND90S



TO SUIT
ECKO FrameTec100
Construction Air Framer
ND100S

FRAMING NAILS

34° PAPER COLLATED

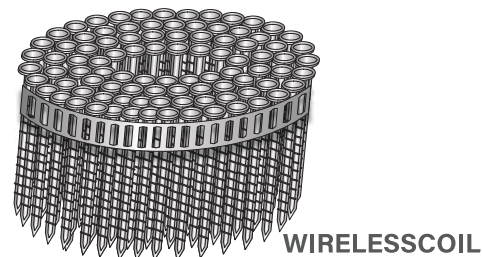
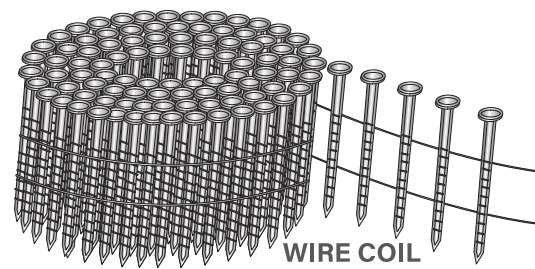
D Head & Round Head - Bright, OutDoor Galv & 304 S/Steel

HEAD	LENGTH (mm)	DIA.	PRODUCT CODE	FINISH	SHANK	FUEL CELL	PCS/CARTON	GS1 BARCODE
Gasless Pack								
D Head	65	2.87	ND-3465	Bright	Smooth	-	3000	9421023340385
	75	3.05	ND-3475	Bright	Smooth	-	3000	9421023340392
	90	3.15	ND-3490S	Bright	Smooth	-	3000	9421023340408
	90	3.15	ND-3490SP	Bright	Smooth	-	3000	9421023347940
	90	3.15	ND-3488L	Bright	Smooth	-	3000	9421023340958
	50	2.87	NDHP-3450R	OutDoor Galv	Ring	-	3000	9421023340415
	65	2.87	NDHP-3465R	OutDoor Galv	Ring	-	3000	9421023340422
Jolt Head	75	3.15	NDHP-3475R	OutDoor Galv	Ring	-	3000	9421023340439
	75	3.15	NJHP-3175R	OutDoor Galv	Smooth	-	3000	9420051802544
Gasless Handy Pack								
D Head	65	2.87	ND-3465H	Bright	Smooth	-	1000	9421023341511
	75	3.05	ND-3475H	Bright	Smooth	-	1000	9421023341528
	90	3.15	ND-3490SH	Bright	Smooth	-	1000	9421023341535
	50	2.87	NDHP-3450RH	OutDoor Galv	Ring	-	1000	9421023341542
	65	2.87	NDHP-3465RH	OutDoor Galv	Ring	-	1000	9421023341559
	75	3.05	NDHP-3475RH	OutDoor Galv	Ring	-	1000	9421023341566
	90	3.15	NDHP-3490H	OutDoor Galv	Smooth	-	1000	9421023341573
	50	2.87	NDSS-3450R	304 S/Steel	Ring	-	1000	9421023340453
	65	2.87	NDSS-3465R	304 S/Steel	Ring	-	1000	9421023340460
	75	3.05	NDSS-3475R	304 S/Steel	Ring	-	1000	9421023340468
Round Head	90	3.15	NDSS-3490R	304 S/Steel	Ring	-	1000	9421023340477
	50	2.87	OSR-3450R	OutDoor Galv	Ring	-	1000	9421023341955
	65	2.87	OSR-3465R	OutDoor Galv	Ring	-	1000	9421023341962
	75	3.05	OSR-3475R	OutDoor Galv	Ring	-	1000	9421023341979
	50	2.87	OSRSS-3450R	OutDoor Galv	Ring	-	1000	9421023346523
Gas Pack	65	2.87	OSRSS-3465R	OutDoor Galv	Ring	-	1000	9421023346530
	75	3.05	OSRSS-3475R	OutDoor Galv	Ring	-	1000	9421023346547
	65	2.87	OSRSS-3465R	OutDoor Galv	Ring	-	1000	9421023346547
D Head	65	2.87	ND-3465V	Bright	Smooth	3	3000	9421023342051
	75	3.05	ND-3475V	Bright	Smooth	3	3000	9421023342068
	90	3.15	ND-3490V	Bright	Smooth	3	3000	9421023342075
	50	2.87	NDHP-3450RV	OutDoor Galv	Ring	3	3000	9421023342082
	65	2.87	NDHP-3465RV	OutDoor Galv	Ring	3	3000	9421023342099
	75	3.05	NDHP-3475RV	OutDoor Galv	Ring	3	3000	9421023342105
Jolt Head	90	3.15	NDHP-3490V	OutDoor Galv	Smooth	3	3000	9421023342112
Gas Handy Pack								
D Head	75	3.15	NJHP-3175RV	OutDoor Galv	Smooth	3	3000	9420051802384
	65	2.87	ND-3465VH	Bright	Smooth	1	1000	9421023342129
	75	3.05	ND-3475VH	Bright	Smooth	1	1000	9421023342136
	90	3.15	ND-3490VH	Bright	Smooth	1	1000	9421023342143
	50	2.87	NDHP-3450RVH	OutDoor Galv	Ring	1	1000	9421023342150
	65	2.87	NDHP-3465RVH	OutDoor Galv	Ring	1	1000	9421023342167
	75	3.05	NDHP-3475RVH	OutDoor Galv	Ring	1	1000	9421023342174
	90	3.15	NDHP-3490VH	OutDoor Galv	Smooth	1	1000	9421023342181
	50	2.87	NDSS-3450RV	304 S/Steel	Ring	1	1000	9421023342198
	65	2.87	NDSS-3465RV	304 S/Steel	Ring	1	1000	9421023342204
Round Head	75	3.05	NDSS-3475RV	304 S/Steel	Ring	1	1000	9421023342211
	90	3.15	NDSS-3490RV	304 S/Steel	Ring	1	1000	9421023342228
	50	2.87	OSR-3450RV	OutDoor Galv	Ring	1	1000	9421023342419
	65	2.87	OSR-3465RV	OutDoor Galv	Ring	1	1000	9421023342426
	75	3.05	OSR-3475RV	OutDoor Galv	Ring	1	1000	9421023342433
	50	2.87	OSRSS-3450RV	OutDoor Galv	Ring	1	1000	9421023346448
	65	2.87	OSRSS-3465RV	OutDoor Galv	Ring	1	1000	9421023346455
	75	3.05	OSRSS-3475RV	OutDoor Galv	Ring	1	1000	9421023346462

ECKO HAMMAHAND®

15° WEATHERBOARD COIL NAILS

Jolt Head & Round Head - OutDoor Galv & 304 S/Steel



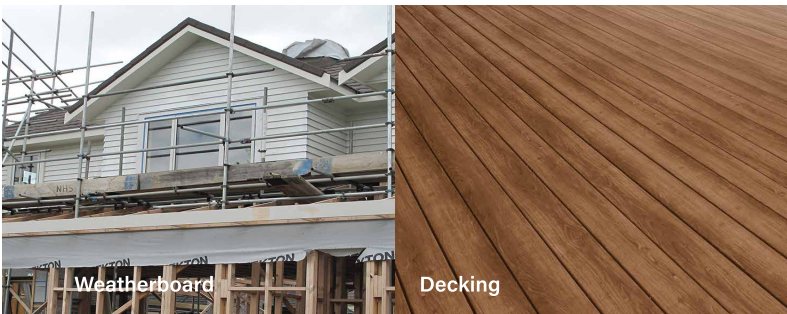
Features & Benefits

- HEAD**
Jolt Head & Round Head
- COLLATION**
Round head 27 - 65mm WirelessCoil
Round head 75 - 90mm Wire Coil
Jolt head 50 - 65mm WirelessCoil
Jolt head 75 - 90mm Wire Coil
- APPLICATIONS**
Most James Hardie Building Products
Weatherboard Soffit lining
Tile & Slate underlay RAB Board
Ply bracing HomeRAB
Cavity batten HardieFlex

- FINISH**
OutDoor Galv & 304 S/Steel.



- PACK SIZE**
OutDoor Galv 3000pcs
304 S/Steel 1000pcs



TO SUIT
ECKO HAMMAHAND®
Weatherboard Nailer
WB75

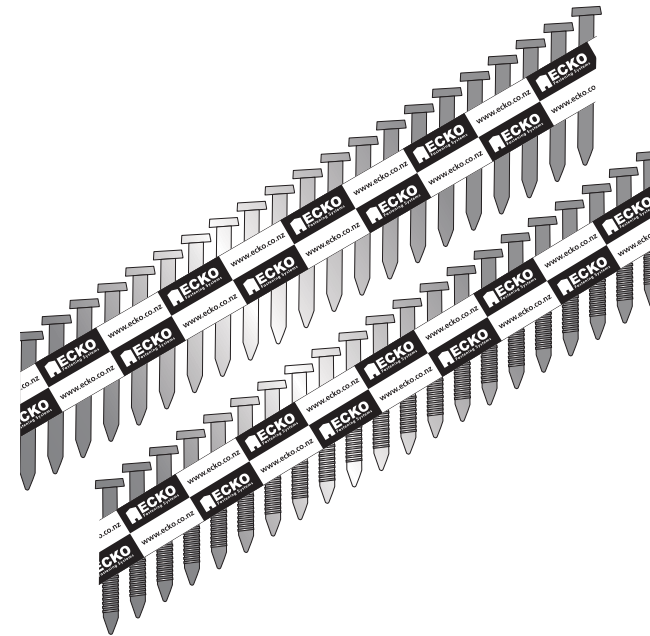


HEAD	LENGTH (mm)	DIA.	PRODUCT CODE	FINISH	COLLATION	SHANK	PCS/CARTON	GS1 BARCODE
OutDoor Galvanised								
Round Head	27	2.50	HHG-27V5R	OutDoor Galv	WirelessCoil	Ring	3000	9421023341436
	40	2.80	HHG-40V8R	OutDoor Galv	WirelessCoil	Ring	3000	9421023341450
	50	2.80	HHG-50V8R	OutDoor Galv	WirelessCoil	Ring	3000	9421023341467
	60	2.80	HHG-60V8R	OutDoor Galv	WirelessCoil	Ring	3000	9421023341474
	65	2.80	HHG-65V8R	OutDoor Galv	WirelessCoil	Ring	3000	9421023341481
75	3.15	HHG-75V8R	OutDoor Galv	Wire Coil	Ring	3000	9421023341764	
304 Stainless Steel								
Round Head	40	2.80	HHSS-40V8R	304 S/Steel	WirelessCoil	Ring	1000	9421023341726
	50	2.80	HHSS-50V8R	304 S/Steel	WirelessCoil	Ring	1000	9421023341733
	60	2.80	HHSS-60V8R	304 S/Steel	WirelessCoil	Ring	1000	9421023341740
	65	2.80	HHSS-65V8R	304 S/Steel	WirelessCoil	Ring	1000	9421023341757
	75	3.15	HHSS-75V8R	304 S/Steel	Wire Coil	Ring	1000	9421023341771
OutDoor Galvanised								
Jolt Head	60	2.80	JOG-60V8R	OutDoor Galv	WirelessCoil	Ring	3000	9421023341887
	65	2.80	JOG-65V8R	OutDoor Galv	WirelessCoil	Ring	3000	9421023341894
	75	3.15	JOG-75V8R	OutDoor Galv	Wire Coil	Ring	3000	9421023341900
304 Stainless Steel								
Jolt Head	60	2.80	JOSS-60V8R	304 S/Steel	WirelessCoil	Ring	1000	9421023341924
	65	2.80	JOSS-65V8R	304 S/Steel	WirelessCoil	Ring	1000	9421023341931
	75	3.15	JOSS-75V8R	304 S/Steel	Wire Coil	Ring	1000	9421023341948

JOIST HANGER NAILS

34° PAPER COLLATED

OutDoor Galv & 304 S/Steel



Features & Benefits

- COLLATION**
Paper collated

- FINISH**
OutDoor Galv & 304 S/Steel



- APPLICATIONS**
Joist hanger and product nail installation
Sub-floor strip brace to framing
Strap brace and multibrace installation
Nail on plate installation

- PACK SIZE**
OutDoor Galv 2000pcs
304 S/Steel 1000pcs



TO SUIT
ECKO Joist Hanger Nailer
PN38

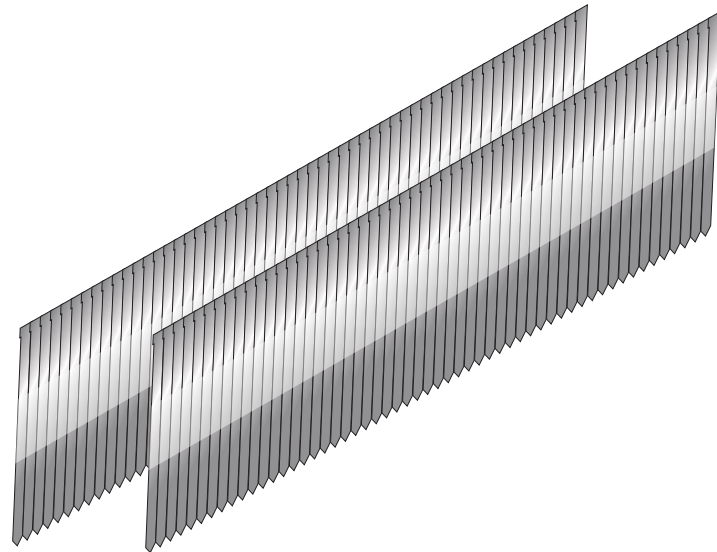


LENGTH (mm)	DIA.	PRODUCT CODE	FINISH	SHANK	PCS/CARTON	GS1 BARCODE
OutDoor Galvanised						
38	3.33	JHMG-3338	OutDoor Galv	Smooth	2000	9421023340149
304 Stainless Steel						
38	3.33	JHSS-3338	304 S/Steel	Ring	1000	9421023340156

BDG/DA SERIES

15GA. 34° ANGLED BRADS

Electro Galv & 304 S/Steel



- GAUGE
15
- ANGLE
34°
- FINISH
Electro Galv & 304 S/Steel
- APPLICATIONS
Titan board
Axon panel
Light framing

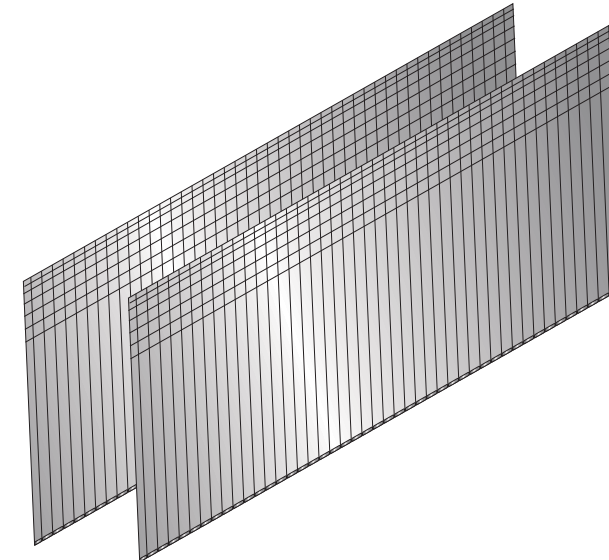


- PACK SIZE
Electro Galv **3000pcs**
304 S/Steel **1000pcs**

FN SERIES

15GA. 25° ANGLED BRADS

Electro Galv & 304 S/Steel



- GAUGE
15
- ANGLE
25°
- FINISH
Electro Galv & 304 S/Steel
- APPLICATIONS
Titan board
Axon panel
Light framing



- PACK SIZE
Electro Galv **1000pcs**
304 S/Steel **1000pcs**



Titan board

Axon panel

TO SUIT

HIKOKI
MILWAUKEE
DeWALT
AEG



Titan board

Axon panel

TO SUIT

ECKO
BOSTITCH



*Please refer to the technical specification for fastener requirements or installation manual for each specific application you are working with.

*Please refer to the technical specification for fastener requirements or installation manual for each specific application you are working with.

SUITABLE FOR MAJOR BRANDS OF 15GA. DA BRADDERS

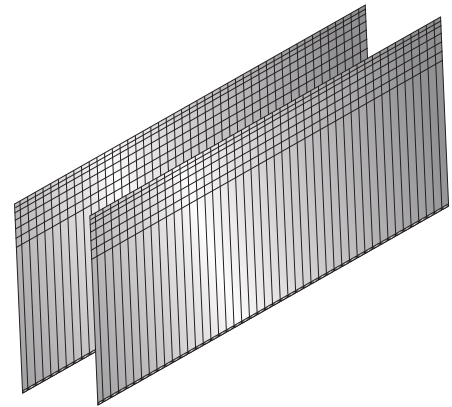
LENGTH (mm)	GAUGE	PRODUCT CODE	FINISH	ANGLE	PCS/Box	GS1 BARCODE
Electro Galvanised						
25	15	BDG-1325	Electro Galv	34°	3000	9421023346967
32	15	BDG-1532	Electro Galv	34°	3000	9421023346974
38	15	BDG-1738	Electro Galv	34°	3000	9421023346981
45	15	BDG-1945	Electro Galv	34°	3000	9421023346998
50	15	BDG-2150	Electro Galv	34°	3000	9421023347001
64	15	BDG-2564	Electro Galv	34°	3000	9421023347025
304 Stainless Steel						
25	15	BDSS-1325	304 S/Steel	34°	1000	9420051800830
32	15	BDSS-1532	304 S/Steel	34°	1000	9420051800847
38	15	BDSS-1738	304 S/Steel	34°	1000	9420051800854
45	15	BDSS-1945	304 S/Steel	34°	1000	9420051800861
50	15	BDSS-2150	304 S/Steel	34°	1000	9420051800878
64	15	BDSS-2564	304 S/Steel	34°	1000	9420051800885

SUITABLE FOR MAJOR BRANDS OF 15GA. FN BRADDERS

LENGTH (mm)	GAUGE	PRODUCT CODE	FINISH	ANGLE	PCS/PACK	GS1 BARCODE
Electro Galvanised						
25	15	EC-1525	Electro Galv	25°	1000	9421023345960
32	15	EC-1532	Electro Galv	25°	1000	9421023345977
38	15	EC-1538	Electro Galv	25°	1000	9421023345984
45	15	EC-1545	Electro Galv	25°	1000	9421023345991
50	15	EC-1550	Electro Galv	25°	1000	9421023346004
304 Stainless Steel						
25	15	ECSS-1525	304 S/Steel	25°	1000	9421023346011
32	15	ECSS-1532	304 S/Steel	25°	1000	9421023346028
38	15	ECSS-1538	304 S/Steel	25°	1000	9421023346035
45	15	ECSS-1545	304 S/Steel	25°	1000	9421023346042
50	15	ECSS-1550	304 S/Steel	25°	1000	9421023346059

AG16 SERIES

16GA. 20° ANGLED BRADS
Electro Galv & 304 S/Steel



- GAUGE 16
- ANGLE 20°
- FINISH Electro Galv & 304 S/Steel
- APPLICATIONS Skirting, Interior finishing

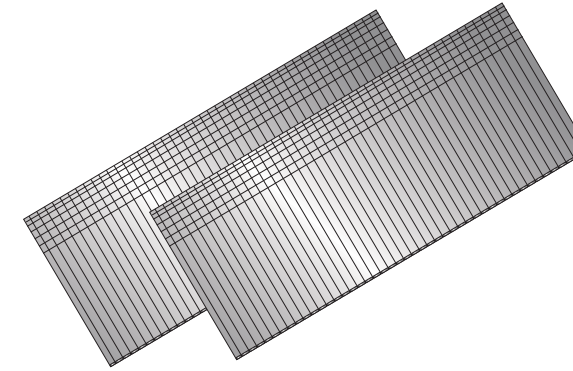


- PACK SIZE Electro Galv 2000pcs, 304 S/Steel 2000pcs



BC16 SERIES

16GA. STRAIGHT BRADS
Electro Galv & 304 S/Steel



- GAUGE 16
- FINISH Electro Galv & 304 S/Steel
- APPLICATIONS Skirting, Interior finishing



- PACK SIZE Electro Galv 2500pcs, 304 S/Steel 2500pcs



Skirting

Interior finishing

- TO SUIT ECKO, PASLODE, MILWAUKEE, HIKOKI, DeWALT



Skirting

Interior finishing

- TO SUIT ECKO, PASLODE, HIKOKI, MAKITA, MILWAUKEE



*Please refer to the technical specification for fastener requirements or installation manual for each specific application you are working with.

*Please refer to the technical specification for fastener requirements or installation manual for each specific application you are working with.

SUITABLE FOR MAJOR BRANDS OF 16GA. ANGLE BRADDER

LENGTH (mm)	GAUGE	PRODUCT CODE	FINISH	FUEL CELL	PCS/PACK	GS1 BARCODE
Gasless Pack						
32	16	AG-1632	Electro Galv	-	2000	9421023341153
38	16	AG-1638	Electro Galv	-	2000	9421023341160
45	16	AG-1645	Electro Galv	-	2000	9421023341177
50	16	AG-1650	Electro Galv	-	2000	9421023341184
63	16	AG-1663	Electro Galv	-	2000	9421023341191
32	16	AGSS-1632	304 S/Steel	-	2000	9421023341207
38	16	AGSS-1638	304 S/Steel	-	2000	9421023341214
45	16	AGSS-1645	304 S/Steel	-	2000	9421023341221
50	16	AGSS-1650	304 S/Steel	-	2000	9421023341238
63	16	AGSS-1663	304 S/Steel	-	2000	9421023341245
Gas Pack						
32	16	AG-1632PL2	Electro Galv	2	2000	9421023346103
38	16	AG-1638PL2	Electro Galv	2	2000	9421023346110
45	16	AG-1645PL2	Electro Galv	2	2000	9421023346127
50	16	AG-1650PL2	Electro Galv	2	2000	9421023346134
63	16	AG-1663PL2	Electro Galv	2	2000	9421023346141
32	16	AGSS-1632PL2	304 S/Steel	2	2000	9421023346158
38	16	AGSS-1638PL2	304 S/Steel	2	2000	9421023346165
45	16	AGSS-1645PL2	304 S/Steel	2	2000	9421023346172
50	16	AGSS-1650PL2	304 S/Steel	2	2000	9421023346189
63	16	AGSS-1663PL2	304 S/Steel	2	2000	9421023346196

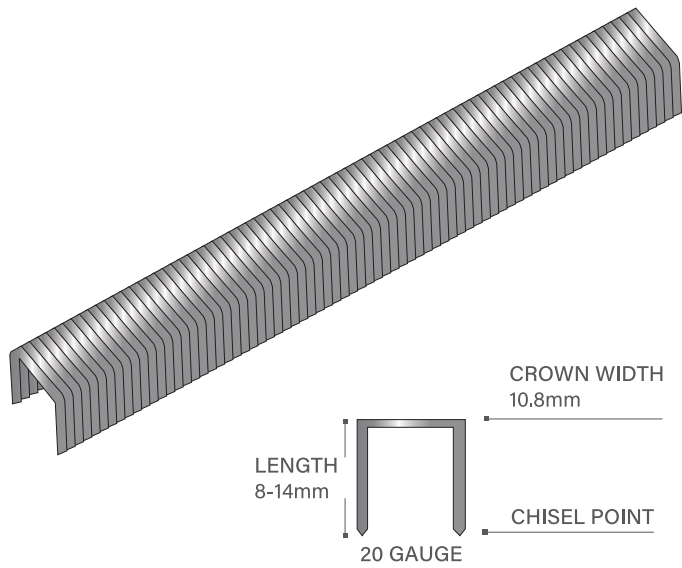
SUITABLE FOR MAJOR BRANDS OF 16GA. STRAIGHT BRADDER

LENGTH (mm)	GAUGE	PRODUCT CODE	FINISH	FUEL CELL	PCS/PACK	GS1 BARCODE
Gasless Pack						
25	16	BC-1625	Electro Galv	-	2500	9421023342471
30	16	BC-1630	Electro Galv	-	2500	9421023342488
35	16	BC-1635	Electro Galv	-	2500	9421023342495
50	16	BC-1640	Electro Galv	-	2500	9421023342501
45	16	BC-1645	Electro Galv	-	2500	9421023342518
50	16	BC-1650	Electro Galv	-	2500	9421023342525
63	16	BC-1663	Electro Galv	-	2500	9421023342549
25	16	BCSS-1625	304 S/Steel	-	2500	9421023342556
30	16	BCSS-1630	304 S/Steel	-	2500	9421023342563
38	16	BCSS-1638	304 S/Steel	-	2500	9421023342570
50	16	BCSS-1650	304 S/Steel	-	2500	9421023342587
63	16	BCSS-1663	304 S/Steel	-	2500	9421023342594
Gas Pack						
25	16	BC-1625PL2	Electro Galv	2	2500	9421023346776
30	16	BC-1630PL2	Electro Galv	2	2500	9421023346783
35	16	BC-1635PL2	Electro Galv	2	2500	9421023346790
50	16	BC-1640PL2	Electro Galv	2	2500	9421023346806
45	16	BC-1645PL2	Electro Galv	2	2500	9421023346813
50	16	BC-1650PL2	Electro Galv	2	2500	9421023346820
63	16	BC-1663PL2	Electro Galv	2	2500	9421023346844
25	16	BCSS-1625PL2	304 S/Steel	2	2500	9421023346851
30	16	BCSS-1630PL2	304 S/Steel	2	2500	9421023346868
38	16	BCSS-1638PL2	304 S/Steel	2	2500	9421023346875
50	16	BCSS-1650PL2	304 S/Steel	2	2500	9421023346882
63	16	BCSS-1663PL2	304 S/Steel	2	2500	9421023346899

140 SERIES STAPLES

20GA. STAPLES

Electro Galvanised



- GAUGE
20
- APPLICATIONS
Moisture wrap
House wrap
Roofing felt
Foam sheathing insulation
Labelling

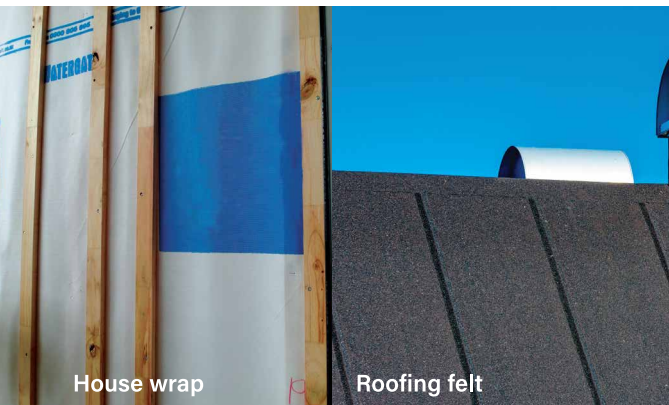
- FINISH
Electro Galvanised



- PACK SIZE
Electro Galv 5000pcs

TO SUIT

- ECKO
Wrap-Tacker® Air Stapler
RD1116P
- ECKO
Construction Hammer Tacker
XPRO
- ECKO
H/D Staple Gun Tacker
LT1



House wrap

Roofing felt

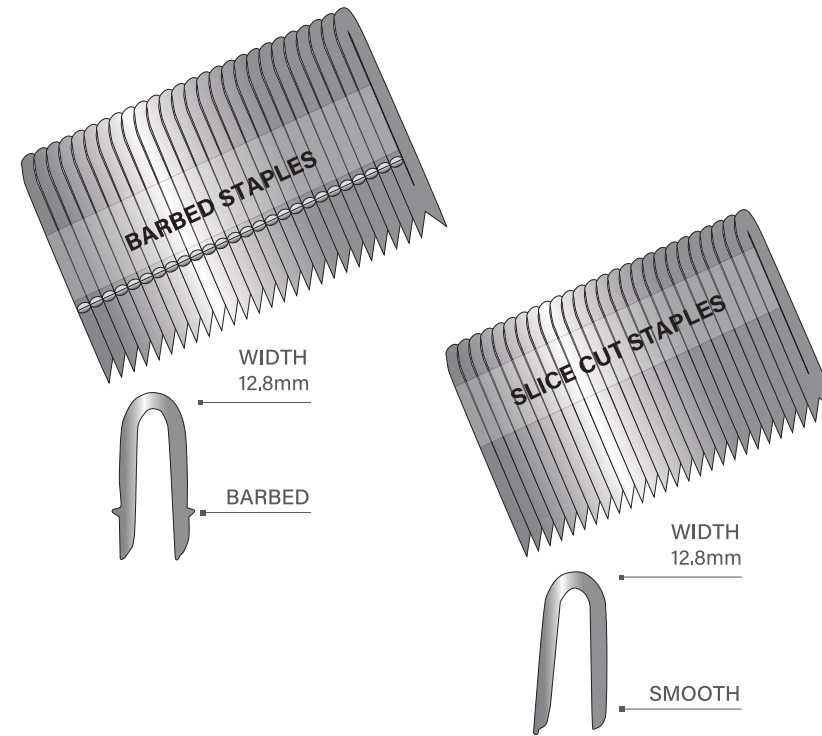
*Please refer to the technical specification for fastener requirements or installation manual for each specific application you are working with.

LENGTH (mm)	PRODUCT CODE	FINISH	GAUGE	CROWN WIDTH (mm)	POINT	PCS/BOX	GS1 BARCODE
Electro Galvanised							
8	RD1108-5M	Electro Galv	20	10.8	Chisel	5000	9421023341269
10	RD1110-5M	Electro Galv	20	10.8	Chisel	5000	9421023341276

FENCE BATTEN STAPLES

3.15 & 4.00mm SERIES

HD Galvanised



- DIAMETER
3.15 & 4.00mm
- APPLICATIONS
Rural livestock fencing
Horticulture
Rural heavy mesh
Heavy woven fencing
Highway boundary fencing

- FINISH
HD Galvanised



TO SUIT

- ECKO
HAMMAHAND® BattenMaster™
Barbed Stapler
FBS50
- ECKO
BattenMaster™ Gas Stapler
GTFB60



Fencing

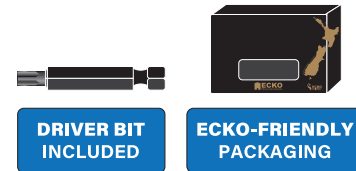
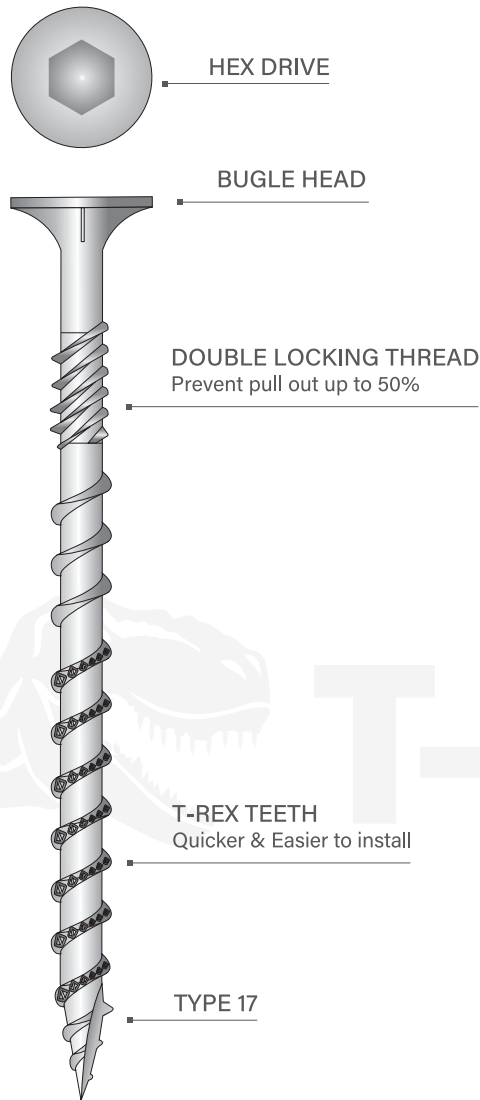
*Please refer to the technical specification for fastener requirements or installation manual for each specific application you are working with.

LENGTH (mm)	DIA.	PRODUCT CODE	FINISH	SHANK	POINT	FUEL CELL	PCS/BOX	GS1 BARCODE
Gasless Pack								
33	3.15	FBS31533	HD Galvanised	Smooth	Divergent	-	2700	9421023347926
40	3.15	FBS31540	HD Galvanised	Smooth	Divergent	-	2100	9421023347933
33	3.15	FBS31533BARB	HD Galvanised	Barbed	Divergent	-	2100	9420051800793
40	3.15	FBS31540BARB	HD Galvanised	Barbed	Divergent	-	1800	9420051800786
50	3.15	FBS31550BARB	HD Galvanised	Barbed	Divergent	-	1400	9420051800779
50	4.00	FBS40050BARB	HD Galvanised	Barbed	Divergent	-	1000	9420051800496
Gas Pack								
33	3.15	FBS31533V	HD Galvanised	Smooth	Divergent	2	2700	9420051800014
40	3.15	FBS31540V	HD Galvanised	Smooth	Divergent	2	2100	9420051800007

ECKO T-REX17®

BATTEN SCREWS

Bugle Head Hex Drive - OutDoor XGuard & 316 S/Steel



Features & Benefits

- HEAD**
Bugle Head
- DRIVE**
Hex drive
- DOUBLE LOCKING THREAD**
Prevent pull out up to 50%
- FINISH**
OutDoor XGuard & 316 S/Steel.
- T-REX TEETH**
Quicker & Easier to install
- TYPE 17**
Self-piercing predrilling



OutDoor XGuard Premium Coating. Salt Spray Test exceeds 1000 hours. Independently tested in New Zealand.

- PACK SIZE**
Available in 25, 100, 250 & 500pcs

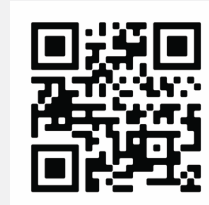


ECKO T-REX17®

BATTEN SCREWS

Bugle Head Hex Drive - OutDoor XGuard & 316 S/Steel

DIA.	LENGTH (mm)	PRODUCT CODE	DRIVE	FINISH	T-REX TEETH	POINT	PCS/PACK	PACK / OUTER	GS1 BARCODE
OutDoor XGuard									
14G	50	BBC414G50L-25	Hex 5mm	XGuard	✓	Type 17	25	6	9420051801394
	50	BBC414G50L-100	Hex 5mm	XGuard	✓	Type 17	100	5	9420051801486
	50	BBC414G50L-250	Hex 5mm	XGuard	✓	Type 17	250	4	9420051801578
	50	BBC414G50L-500	Hex 5mm	XGuard	✓	Type 17	500	1	9420051801660
	65	BBC414G65L-25	Hex 5mm	XGuard	✓	Type 17	25	6	9420051801400
	65	BBC414G65L-100	Hex 5mm	XGuard	✓	Type 17	100	5	9420051801493
	65	BBC414G65L-250	Hex 5mm	XGuard	✓	Type 17	250	4	9420051801585
	65	BBC414G65L-500	Hex 5mm	XGuard	✓	Type 17	500	1	9420051801677
	75	BBC414G75L-25	Hex 5mm	XGuard	✓	Type 17	25	6	9420051801417
	75	BBC414G75L-100	Hex 5mm	XGuard	✓	Type 17	100	5	9420051801509
	75	BBC414G75L-250	Hex 5mm	XGuard	✓	Type 17	250	4	9420051801592
	75	BBC414G75L-500	Hex 5mm	XGuard	✓	Type 17	500	1	9420051801684
	90	BBC414G90L-25	Hex 5mm	XGuard	✓	Type 17	25	6	9420051801424
	90	BBC414G90L-100	Hex 5mm	XGuard	✓	Type 17	100	5	9420051801516
	90	BBC414G90L-250	Hex 5mm	XGuard	✓	Type 17	250	4	9420051801608
	90	BBC414G90L-500	Hex 5mm	XGuard	✓	Type 17	500	1	9420051801691
	100	BBC414G100L-25	Hex 5mm	XGuard	✓	Type 17	25	6	9420051801431
	100	BBC414G100L-100	Hex 5mm	XGuard	✓	Type 17	100	5	9420051801523
	100	BBC414G100L-250	Hex 5mm	XGuard	✓	Type 17	250	4	9420051801615
	100	BBC414G100L-500	Hex 5mm	XGuard	✓	Type 17	500	1	9420051801707
125	BBC414G125L-25	Hex 5mm	XGuard	✓	Type 17	25	6	9420051801448	
125	BBC414G125L-100	Hex 5mm	XGuard	✓	Type 17	100	5	9420051801530	
125	BBC414G125L-250	Hex 5mm	XGuard	✓	Type 17	250	4	9420051801622	
125	BBC414G125L-500	Hex 5mm	XGuard	✓	Type 17	500	1	9420051801714	
150	BBC414G150L-25	Hex 5mm	XGuard	✓	Type 17	25	6	9420051801455	
150	BBC414G150L-100	Hex 5mm	XGuard	✓	Type 17	100	5	9420051801547	
150	BBC414G150L-250	Hex 5mm	XGuard	✓	Type 17	250	4	9420051801639	
150	BBC414G150L-500	Hex 5mm	XGuard	✓	Type 17	500	1	9420051801721	
200	BBC414G200L-25	Hex 5mm	XGuard	✓	Type 17	25	6	9420051801479	
200	BBC414G200L-100	Hex 5mm	XGuard	✓	Type 17	100	5	9420051801561	
200	BBC414G200L-250	Hex 5mm	XGuard	✓	Type 17	250	4	9420051801653	
200	BBC414G200L-500	Hex 5mm	XGuard	✓	Type 17	500	1	9420051801745	
316 Stainless Steel									
14G	75	BBSS14G75-25	Hex 5mm	316 S/Steel	✓	Type 17	25	6	9420051801776
	75	BBSS14G75-100	Hex 5mm	316 S/Steel	✓	Type 17	100	5	9420051801851
	75	BBSS14G75-250	Hex 5mm	316 S/Steel	✓	Type 17	250	4	9420051802407
	75	BBSS14G75-500	Hex 5mm	316 S/Steel	✓	Type 17	500	1	9420051801936
	90	BBSS14G90-25	Hex 5mm	316 S/Steel	✓	Type 17	25	6	9420051801783
	90	BBSS14G90-100	Hex 5mm	316 S/Steel	✓	Type 17	100	5	9420051801868
	90	BBSS14G90-250	Hex 5mm	316 S/Steel	✓	Type 17	250	4	9420051802414
	90	BBSS14G90-500	Hex 5mm	316 S/Steel	✓	Type 17	500	1	9420051801943
	100	BBSS14G100-25	Hex 5mm	316 S/Steel	✓	Type 17	25	6	9420051801790
	100	BBSS14G100-100	Hex 5mm	316 S/Steel	✓	Type 17	100	5	9420051801875
	100	BBSS14G100-250	Hex 5mm	316 S/Steel	✓	Type 17	250	4	9420051802421
	100	BBSS14G100-500	Hex 5mm	316 S/Steel	✓	Type 17	500	1	9420051801950
	125	BBSS14G125-25	Hex 5mm	316 S/Steel	✓	Type 17	25	6	9420051801806
	125	BBSS14G125-100	Hex 5mm	316 S/Steel	✓	Type 17	100	5	9420051801882
	125	BBSS14G125-250	Hex 5mm	316 S/Steel	✓	Type 17	250	4	9420051802438
	125	BBSS14G125-500	Hex 5mm	316 S/Steel	✓	Type 17	500	1	9420051801967
	150	BBSS14G150-25	Hex 5mm	316 S/Steel	✓	Type 17	25	6	9420051801813
	150	BBSS14G150-100	Hex 5mm	316 S/Steel	✓	Type 17	100	5	9420051801899
	150	BBSS14G150-250	Hex 5mm	316 S/Steel	✓	Type 17	250	4	9420051802445
	150	BBSS14G150-500	Hex 5mm	316 S/Steel	✓	Type 17	500	1	9420051801974



ECKO T-REX17®

JOLTSCREW

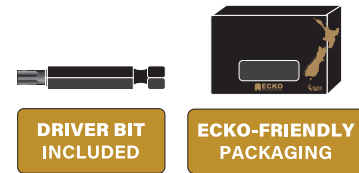
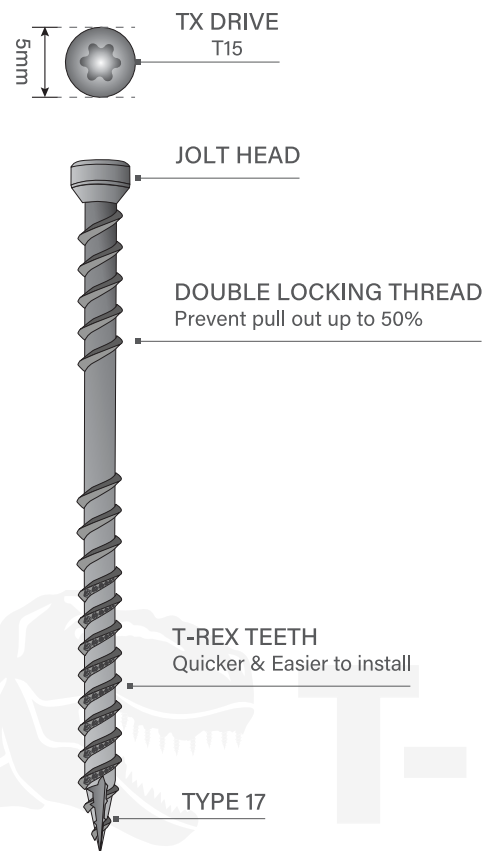
Jolt Head TX Drive - OutDoor XGuard & 316 S/Steel



ECKO T-REX17®

PURLIN SCREWS

Countersunk Head TX Drive - Blue Ruspert



Features & Benefits

- HEAD**
Jolt Head - A small head (5mm) for applications where the head is required to be concealed
- DRIVE**
TX drive T15
- FINISH**
OutDoor XGuard & 316 S/Steel.
- T-REX TEETH**
Quicker & Easier to install
- DOUBLE LOCKING THREAD**
Prevent pull out up to 50%
- TYPE 17**
Self-piercing predrilling
- ENDORSEMENT**
Endorsed by SPP SOUTHERN PINE PRODUCTS
- PACK SIZE**
Available in 250 & 500pcs (*250pcs only available in 90mm)
- HOLDING POWER**



OutDoor XGuard Premium Coating. Salt Spray Test exceeds 1000 hours. Independently tested in New Zealand.

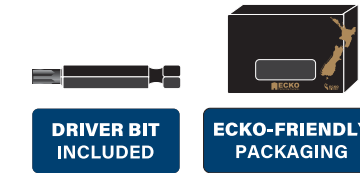
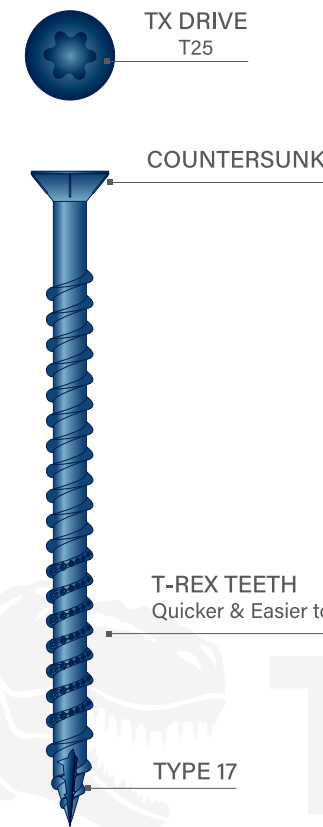


JoltScrew has 6 times more holding power than jolt head nail.

FIXING TYPE	Withdrawal in pine - 31mm penetration (LPL - kN)	Head pull through in weatherboard 19mm thick (LPL - kN)
JoltScrew 8G x 75mm	3.89	1.48
Jolt Head Nail 75 x 3.15mm	0.66	0.56
Jolt Head Nail 60 x 2.80mm	0.64	0.32



DIA.	LENGTH (mm)	PRODUCT CODE	DRIVE	FINISH	T-REXTEETH	POINT	PCS/PACK	PACK / OUTER	GS1 BARCODE
OutDoor XGuard									
8G	65	WDJC48G65-500	TX Drive T15	XGuard	✓	Type 17	500	5	9420051803183
	75	WDJC48G75-500	TX Drive T15	XGuard	✓	Type 17	500	5	9420051802759
	90	WDJC48G90-250	TX Drive T15	XGuard	✓	Type 17	250	5	9420051804111
316 Stainless Steel									
8G	65	WDJ3168G65-500	TX Drive T15	316 S/Steel	✓	Type 17	500	5	9420051803190
	75	WDJ3168G75-500	TX Drive T15	316 S/Steel	✓	Type 17	500	5	9420051802766
	90	WDJ3168G90-250	TX Drive T15	316 S/Steel	✓	Type 17	250	5	9420051804692

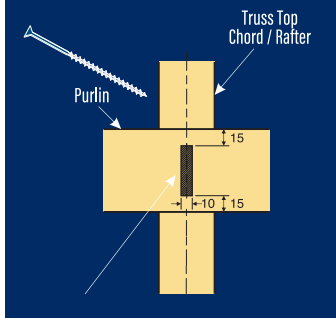


Features & Benefits

- HEAD**
Countersunk Head
- DRIVE**
TX drive T25
- FINISH**
Blue Ruspert
- T-REX TEETH**
Quicker & Easier to install
- TYPE 17**
Self-piercing predrilling
- SIZE**
10g x 80mm
- PACK SIZE**
Available in 250pcs



MEET AND BEAT NZ STANDARDS



Fixing Guide											
This is a guide ONLY, reference Table 10.10, section 10 of NZS 3604:2011											
Purlin Size	Max. SPAN	Maximum spacing and fixing									
		Low		Medium		High		Very High		Extra High	
		Spacing	Fixing	Spacing	Fixing	Spacing	Fixing	Spacing	Fixing	Spacing	Fixing
70 x 45	900mm	900mm	S	900mm	T	900mm	T	900mm	*	900mm	T2
70 x 45	900mm	1200mm	T	1200mm	T	1200mm	*	1050mm	T2	900mm	T2
70 x 45	900mm	1800mm	T	1800mm	T2	1400mm	T2	1050mm	T2	900mm	T2
70 x 45	1200mm	1200mm	T	1150mm	T	800mm	T	600mm	*	500mm	*
70 x 45	1200mm	1300mm	T	1150mm	T	800mm	T	600mm	*	500mm	*
90 x 45	1200mm	1700mm	T	1450mm	T2	1000mm	T2	750mm	T2	650mm	T2

Fixing Type	Description	Alternative Fixing Capacity (kN)
S	2 / 90 x 3.15mm framing nails	0.8
T	1 / 10g x 80mm ECKO Collated Purlin Screws	4
T2	2 / 10g x 80mm ECKO Collated Purlin Screws	8.05

NOTE: All fixing types are determined as required for the higher uplift loads at the periphery of the roof (based on local pressure factors in AS/NZS1170.2)

PURLIN / BATTEN



PURLIN / BATTEN



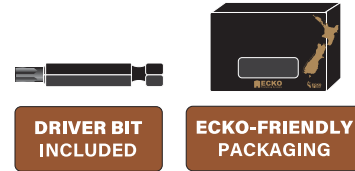
DIA.	LENGTH (mm)	PRODUCT CODE	DRIVE	FINISH	T-REX TEETH	PCS/PACK	PACK / OUTER	GS1 BARCODE
Blue Ruspert								
10G	80	DCSPU10G80250	TX Drive T25	Blue Ruspert	✓	250	5	9420051806702

ECKO T-REX17® DECKING SCREWS

Countersunk Head TX Drive - 304 S/Steel



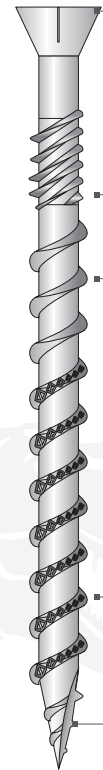
TX DRIVE
T25



DRIVER BIT
INCLUDED

ECKO-FRIENDLY
PACKAGING

COUNTERSUNK



DOUBLE LOCKING THREAD
Prevent pull out up to 50%

COARSE THREAD
High strength engagement

T-REX TEETH
Quicker & Easier to install

TYPE 17

Features & Benefits

- HEAD**
Countersunk Head
- DRIVE**
TX drive T25
- DOUBLE LOCKING THREAD**
Prevent pull out up to 50%
- FINISH**
304 S/Steel
- COARSE THREAD**
High strength engagement
- T-REX TEETH**
Quicker & Easier to install
- TYPE 17**
Self-piercing predrilling
- PACK SIZE**
Available in 50, 250, 500 & 1000pcs



Pine decking

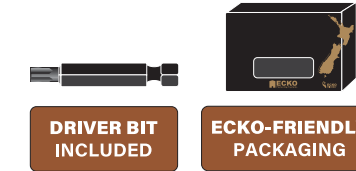


ECKO T-REX17® DECKING SCREWS

Oval Head TX Drive - 304 S/Steel



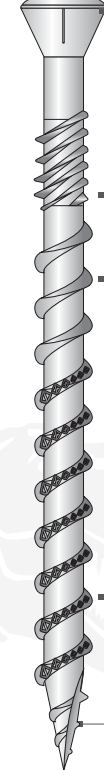
TX DRIVE
T25



DRIVER BIT
INCLUDED

ECKO-FRIENDLY
PACKAGING

OVAL HEAD



DOUBLE LOCKING THREAD
Prevent pull out up to 50%

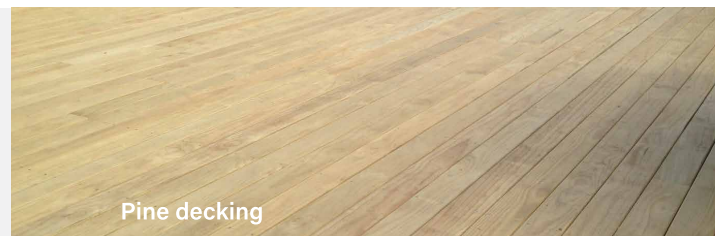
COARSE THREAD
High strength engagement

T-REX TEETH
Quicker & Easier to install

TYPE 17

Features & Benefits

- HEAD**
Oval Head
- DRIVE**
TX drive T25
- DOUBLE LOCKING THREAD**
Prevent pull out up to 50%
- FINISH**
304 S/Steel
- COARSE THREAD**
High strength engagement
- T-REX TEETH**
Quicker & Easier to install
- TYPE 17**
Self-piercing predrilling
- PACK SIZE**
Available in 50, 250, 500 & 1000pcs



Pine decking

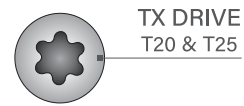


DIA.	LENGTH (mm)	PRODUCT CODE	DRIVE	FINISH	T-REX TEETH	POINT	PCS/PACK	PACK / OUTER	GS1 BARCODE
304 Stainless Steel									
10G	60	DCS30410G60-50	TX Drive T25	304 S/Steel	✓	Type 17	50	6	9420051802148
	60	DCS30410G60-250	TX Drive T25	304 S/Steel	✓	Type 17	250	5	9420051802179
	60	DCS30410G60-500	TX Drive T25	304 S/Steel	✓	Type 17	500	4	9420051802209
	60	DCS30410G60-1K	TX Drive T25	304 S/Steel	✓	Type 17	1000	1	9420051802230
	65	DCS30410G65-50	TX Drive T25	304 S/Steel	✓	Type 17	50	6	9420051802155
	65	DCS30410G65-250	TX Drive T25	304 S/Steel	✓	Type 17	250	5	9420051802186
	65	DCS30410G65-500	TX Drive T25	304 S/Steel	✓	Type 17	500	4	9420051802216
	65	DCS30410G65-1K	TX Drive T25	304 S/Steel	✓	Type 17	1000	1	9420051802247
	75	DCS30410G75-50	TX Drive T25	304 S/Steel	✓	Type 17	50	6	9420051802162
	75	DCS30410G75-250	TX Drive T25	304 S/Steel	✓	Type 17	250	5	9420051802193
	75	DCS30410G75-500	TX Drive T25	304 S/Steel	✓	Type 17	500	4	9420051802223
	75	DCS30410G75-1K	TX Drive T25	304 S/Steel	✓	Type 17	1000	1	9420051802254

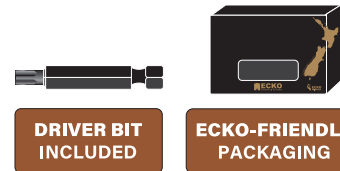
DIA.	LENGTH (mm)	PRODUCT CODE	DRIVE	FINISH	T-REX TEETH	POINT	PCS/PACK	PACK / OUTER	GS1 BARCODE
304 Stainless Steel									
10G	60	DOV30410G60-50	TX Drive T25	304 S/Steel	✓	Type 17	50	6	9420051802261
	60	DOV30410G60-250	TX Drive T25	304 S/Steel	✓	Type 17	250	5	9420051802292
	60	DOV30410G60-500	TX Drive T25	304 S/Steel	✓	Type 17	500	4	9420051802322
	60	DOV30410G60-1K	TX Drive T25	304 S/Steel	✓	Type 17	1000	1	9420051802353
	65	DOV30410G65-50	TX Drive T25	304 S/Steel	✓	Type 17	50	6	9420051802278
	65	DOV30410G65-250	TX Drive T25	304 S/Steel	✓	Type 17	250	5	9420051802308
	65	DOV30410G65-500	TX Drive T25	304 S/Steel	✓	Type 17	500	4	9420051802339
	65	DOV30410G65-1K	TX Drive T25	304 S/Steel	✓	Type 17	1000	1	9420051802360
	75	DOV30410G75-50	TX Drive T25	304 S/Steel	✓	Type 17	50	6	9420051802285
	75	DOV30410G75-250	TX Drive T25	304 S/Steel	✓	Type 17	250	5	9420051802315
	75	DOV30410G75-500	TX Drive T25	304 S/Steel	✓	Type 17	500	4	9420051802346
	75	DOV30410G75-1K	TX Drive T25	304 S/Steel	✓	Type 17	1000	1	9420051802377

ECKO T-REX17® DECKING SCREWS

Trim Head TX Drive - 316 S/Steel



TX DRIVE
T20 & T25



DRIVER BIT
INCLUDED

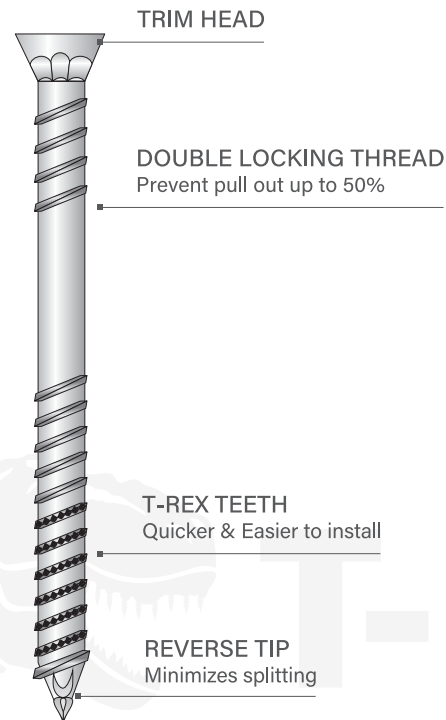
ECKO-FRIENDLY
PACKAGING

Features & Benefits

- HEAD**
Trim Head
- DRIVE**
TX drive T20 (10G)
TX drive T25 (12G)
- FINISH**
316 S/Steel
- DOUBLE LOCKING THREAD**
Prevent pull out up to 50%
- T-REX TEETH**
Quicker & Easier to install
- REVERSE TIP**
Minimizes splitting
- ENDORSEMENT**
Endorsed by



- PACK SIZE**
Available in 50, 250, 500 & 1000pcs



TRIM HEAD

DOUBLE LOCKING THREAD
Prevent pull out up to 50%

T-REX TEETH
Quicker & Easier to install

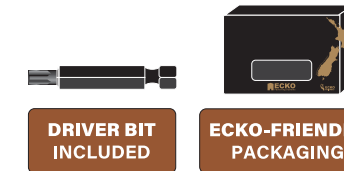
REVERSE TIP
Minimizes splitting

ECKO T-REX17® DECKING SCREWS

Trim Head TX Drive - 316 S/Steel Bronze



TX DRIVE
T20

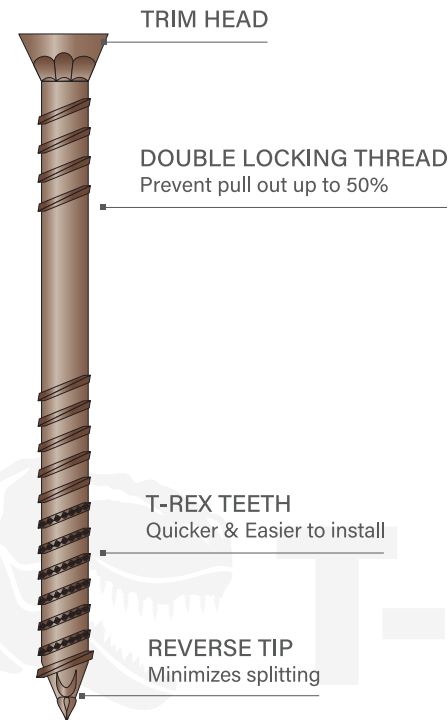


DRIVER BIT
INCLUDED

ECKO-FRIENDLY
PACKAGING

Features & Benefits

- HEAD**
Trim Head
- DRIVE**
TX drive T20
- FINISH**
316 S/Steel Bronze
- DOUBLE LOCKING THREAD**
Prevent pull out up to 50%
- T-REX TEETH**
Quicker & Easier to install
- REVERSE TIP**
Minimizes splitting
- PACK SIZE**
Available in 250pcs

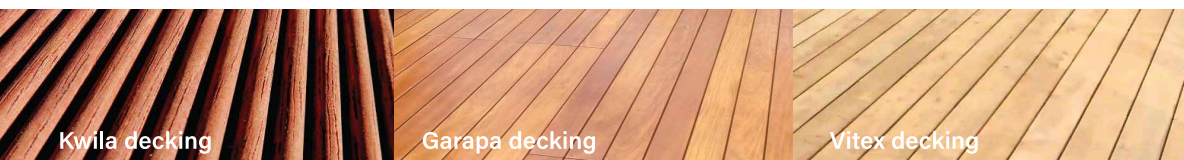


TRIM HEAD

DOUBLE LOCKING THREAD
Prevent pull out up to 50%

T-REX TEETH
Quicker & Easier to install

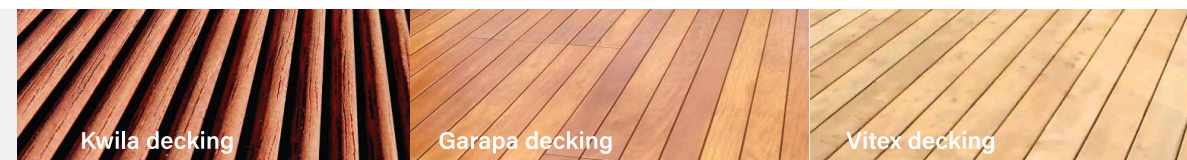
REVERSE TIP
Minimizes splitting



Kwila decking

Garapa decking

Vitex decking



Kwila decking

Garapa decking

Vitex decking



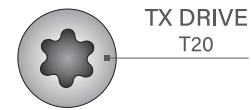
DIA.	LENGTH (mm)	PRODUCT CODE	DRIVE	FINISH	T-REX TEETH	POINT	PCS/PACK	PACK / OUTER	GS1 BARCODE
316 Stainless Steel									
10G	60	DTR31610G60-50	TX Drive T20	316 S/Steel	✓	Reverse Tip	50	6	9420051802780
	60	DTR31610G60-250	TX Drive T20	316 S/Steel	✓	Reverse Tip	250	5	9420051802513
	60	DTR31610G60-500	TX Drive T20	316 S/Steel	✓	Reverse Tip	500	4	9420051802681
	60	DTR31610G60-1K	TX Drive T20	316 S/Steel	✓	Reverse Tip	1000	1	9420051802711
	65	DTR31610G65-50	TX Drive T20	316 S/Steel	✓	Reverse Tip	50	6	9420051802797
	65	DTR31610G65-250	TX Drive T20	316 S/Steel	✓	Reverse Tip	250	5	9420051802520
	65	DTR31610G65-500	TX Drive T20	316 S/Steel	✓	Reverse Tip	500	4	9420051802698
	65	DTR31610G65-1K	TX Drive T20	316 S/Steel	✓	Reverse Tip	1000	1	9420051802728
	75	DTR31610G75-50	TX Drive T20	316 S/Steel	✓	Reverse Tip	50	6	9420051803800
	75	DTR31610G75-250	TX Drive T20	316 S/Steel	✓	Reverse Tip	250	5	9420051803817
12G	75	DTR31610G75-500	TX Drive T20	316 S/Steel	✓	Reverse Tip	500	4	9420051803824
	75	DTR31610G75-1K	TX Drive T20	316 S/Steel	✓	Reverse Tip	1000	1	9420051803831
	65	DTR31612G65-50	TX Drive T25	316 S/Steel	✓	Reverse Tip	50	6	9420051804616
	65	DTR31612G65-250	TX Drive T25	316 S/Steel	✓	Reverse Tip	250	5	9420051804517
	65	DTR31612G65-500	TX Drive T25	316 S/Steel	✓	Reverse Tip	500	4	9420051804647
	65	DTR31612G65-1K	TX Drive T25	316 S/Steel	✓	Reverse Tip	1000	1	9420051804678
	75	DTR31612G75-50	TX Drive T25	316 S/Steel	✓	Reverse Tip	50	6	9420051804623
	75	DTR31612G75-250	TX Drive T25	316 S/Steel	✓	Reverse Tip	250	5	9420051804524
	75	DTR31612G75-500	TX Drive T25	316 S/Steel	✓	Reverse Tip	500	4	9420051804654
	75	DTR31612G75-1K	TX Drive T25	316 S/Steel	✓	Reverse Tip	1000	1	9420051804531
90	90	DTR31612G90-50	TX Drive T25	316 S/Steel	✓	Reverse Tip	50	6	9420051804630
	90	DTR31612G90-250	TX Drive T25	316 S/Steel	✓	Reverse Tip	250	5	9420051804548
	90	DTR31612G90-500	TX Drive T25	316 S/Steel	✓	Reverse Tip	500	4	9420051804661
	90	DTR31612G90-1K	TX Drive T25	316 S/Steel	✓	Reverse Tip	1000	1	9420051804685

DIA.	LENGTH (mm)	PRODUCT CODE	DRIVE	FINISH	T-REX TEETH	POINT	PCS/PACK	PACK / OUTER	GS1 BARCODE
316 Stainless Steel Bronze									
10G	65	DTRBZ10G65-250	TX Drive T20	316 S/Steel Bronze	✓	Reverse Tip	250	5	9420051806696

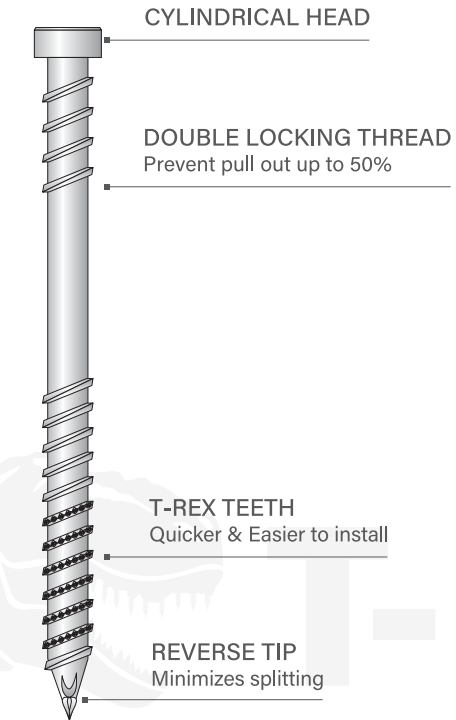
ECKO T-REX17®

DECKING SCREWS

Cylindrical Head TX Drive - 316 S/Steel



TX DRIVE
T20

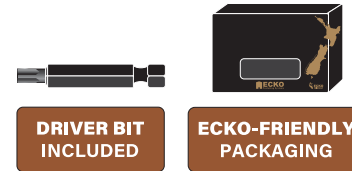


CYLINDRICAL HEAD

DOUBLE LOCKING THREAD
Prevent pull out up to 50%

T-REX TEETH
Quicker & Easier to install

REVERSE TIP
Minimizes splitting



DRIVER BIT
INCLUDED

ECKO-FRIENDLY
PACKAGING

Features & Benefits

- HEAD**
Cylindrical Head
- DRIVE**
TX drive T20
- FINISH**
316 S/Steel
- DOUBLE LOCKING THREAD**
Prevent pull out up to 50%
- T-REX TEETH**
Quicker & Easier to install
- REVERSE TIP**
Minimizes splitting



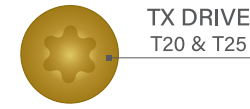
- ENDORSEMENT**
Endorsed by
- PACK SIZE**
Available in 50, 250, 500 & 1000pcs



ECKO T-REX17®

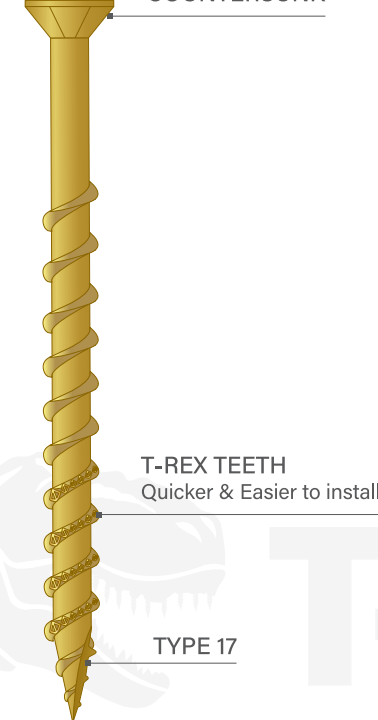
TimbaTX® MULTI-PURPOSE SCREWS

Countersunk Head TX Drive - Yellow Zinc



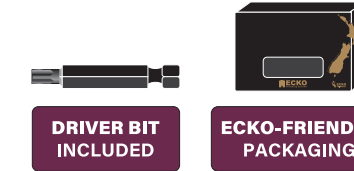
TX DRIVE
T20 & T25

COUNTERSUNK



T-REX TEETH
Quicker & Easier to install

TYPE 17

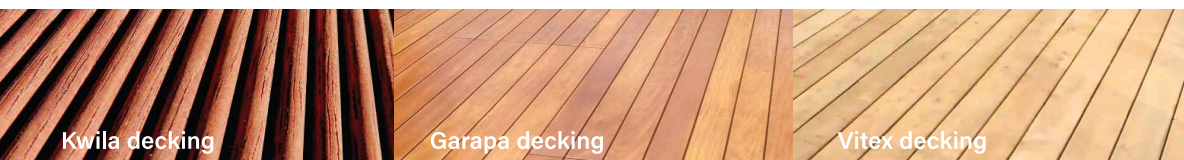


DRIVER BIT
INCLUDED

ECKO-FRIENDLY
PACKAGING

Features & Benefits

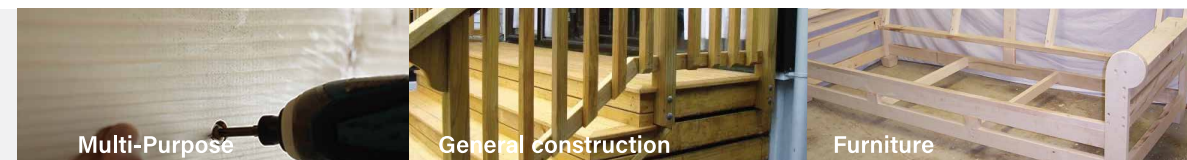
- HEAD**
Countersunk Head
- DRIVE**
TX drive T20 (8G)
TX drive T25 (10G)
- FULL THREAD**
Screw lengths from 20 - 25mm
- FINISH**
Yellow Zinc
- T-REX TEETH**
Quicker & Easier to install
Starting at screw lengths of 50mm
- TYPE 17**
Self-piercing predrilling
Starting at screw lengths of 50mm
- NEEDLE POINT**
Screw lengths from 20 - 45mm
- PACK SIZE**
DIY pack & Handy pack



Kwila decking

Garapa decking

Vitex decking



Multi-Purpose

General construction

Furniture



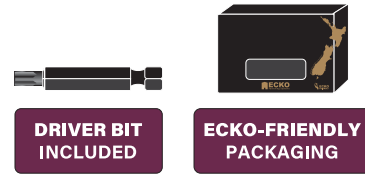
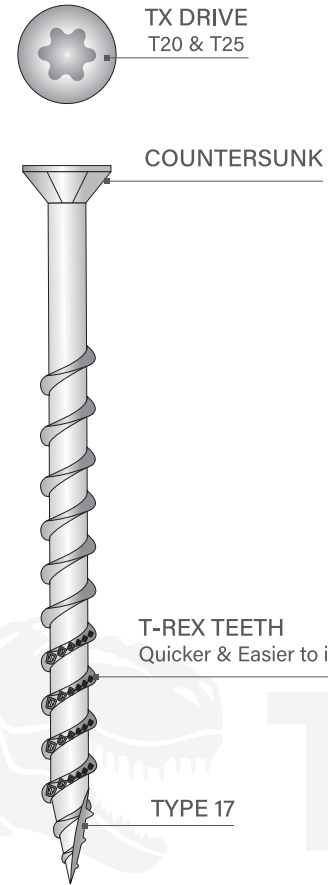
DIA.	LENGTH (mm)	PRODUCT CODE	DRIVE	FINISH	T-REX TEETH	POINT	PCS/PACK	PACK / OUTER	GS1 BARCODE
316 Stainless Steel									
10G	60	DCL31610G60-50	TX Drive T20	316 S/Steel	✓	Reverse Tip	50	6	9420051802810
	60	DCL31610G60-250	TX Drive T20	316 S/Steel	✓	Reverse Tip	250	5	9420051802483
	60	DCL31610G60-500	TX Drive T20	316 S/Steel	✓	Reverse Tip	500	4	9420051802629
	60	DCL31610G60-1K	TX Drive T20	316 S/Steel	✓	Reverse Tip	1000	1	9420051802650
	65	DCL31610G65-50	TX Drive T20	316 S/Steel	✓	Reverse Tip	50	6	9420051802827
	65	DCL31610G65-250	TX Drive T20	316 S/Steel	✓	Reverse Tip	250	5	9420051802490
	65	DCL31610G65-500	TX Drive T20	316 S/Steel	✓	Reverse Tip	500	4	9420051802636
	65	DCL31610G65-1K	TX Drive T20	316 S/Steel	✓	Reverse Tip	1000	1	9420051802667
	75	DCL31610G75-50	TX Drive T20	316 S/Steel	✓	Reverse Tip	50	6	9420051803848
	75	DCL31610G75-250	TX Drive T20	316 S/Steel	✓	Reverse Tip	250	5	9420051803855
	75	DCL31610G75-500	TX Drive T20	316 S/Steel	✓	Reverse Tip	500	4	9420051803862
	75	DCL31610G75-1K	TX Drive T20	316 S/Steel	✓	Reverse Tip	1000	1	9420051803879

DIA.	LENGTH (mm)	PRODUCT CODE	DRIVE	FINISH	T-REX TEETH	POINT	PCS/PACK	PACK / OUTER	GS1 BARCODE	
Yellow Zinc										
8G	20	TTYZ8G20-200	TX Drive T20	Yellow Zinc	-	Needle Point	200	6	9420051805521	
	20	TTYZ8G20-1K	TX Drive T20	Yellow Zinc	-	Needle Point	1000	5	9420051805644	
	25	TTYZ8G25-200	TX Drive T20	Yellow Zinc	-	Needle Point	200	6	9420051805538	
	25	TTYZ8G25-1K	TX Drive T20	Yellow Zinc	-	Needle Point	1000	5	9420051805651	
	32	TTYZ8G32-200	TX Drive T20	Yellow Zinc	-	Needle Point	200	6	9420051805545	
	32	TTYZ8G32-1K	TX Drive T20	Yellow Zinc	-	Needle Point	1000	5	9420051805668	
	40	TTYZ8G40-150	TX Drive T20	Yellow Zinc	-	Needle Point	150	6	9420051805552	
	40	TTYZ8G40-500	TX Drive T20	Yellow Zinc	-	Needle Point	500	5	9420051805675	
	45	TTYZ8G45-150	TX Drive T20	Yellow Zinc	-	Needle Point	150	6	9420051805569	
	45	TTYZ8G45-500	TX Drive T20	Yellow Zinc	-	Needle Point	500	5	9420051805682	
	50	TTYZ8G50-125	TX Drive T20	Yellow Zinc	✓	Type 17	125	6	9420051805562	
	50	TTYZ8G50-500	TX Drive T20	Yellow Zinc	✓	Type 17	500	5	9420051805699	
	65	TTYZ8G65-125	TX Drive T20	Yellow Zinc	✓	Type 17	125	6	9420051805583	
	65	TTYZ8G65-500	TX Drive T20	Yellow Zinc	✓	Type 17	500	5	9420051805705	
	10G	50	TTYZ10G50-100	TX Drive T25	Yellow Zinc	✓	Type 17	100	6	9420051805590
		50	TTYZ10G50-300	TX Drive T25	Yellow Zinc	✓	Type 17	300	5	9420051805712
		65	TTYZ10G65-100	TX Drive T25	Yellow Zinc	✓	Type 17	100	6	9420051805606
		65	TTYZ10G65-300	TX Drive T25	Yellow Zinc	✓	Type 17	300	5	9420051805729
75		TTYZ10G75-75	TX Drive T25	Yellow Zinc	✓	Type 17	75	6	9420051805613	
75		TTYZ10G75-300	TX Drive T25	Yellow Zinc	✓	Type 17	300	5	9420051805736	
90		TTYZ10G90-75	TX Drive T25	Yellow Zinc	✓	Type 17	75	6	9420051805620	
90		TTYZ10G90-300	TX Drive T25	Yellow Zinc	✓	Type 17	300	5	9420051805743	
100	TTYZ10G100-75	TX Drive T25	Yellow Zinc	✓	Type 17	75	6	9420051805637		
100	TTYZ10G100-300	TX Drive T25	Yellow Zinc	✓	Type 17	300	5	9420051805750		

ECKO T-REX17®

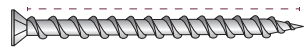
TimbaTX® MULTI-PURPOSE SCREWS

Countersunk Head TX Drive - OutDoor XGuard



Features & Benefits

- HEAD**
Countersunk Head
- DRIVE**
TX drive T20 (8G)
TX drive T25 (10G)
- FULL THREAD**
Screw lengths from 20 - 25mm
- FINISH**
OutDoor XGuard
- T-REX TEETH**
Quicker & Easier to install
Starting at screw lengths of 50mm
- TYPE 17**
Self-piercing predrilling
Starting at screw lengths of 50mm
- NEEDLE POINT**
Screw lengths from 20 - 45mm
- PACK SIZE**
DIY pack & Handy pack



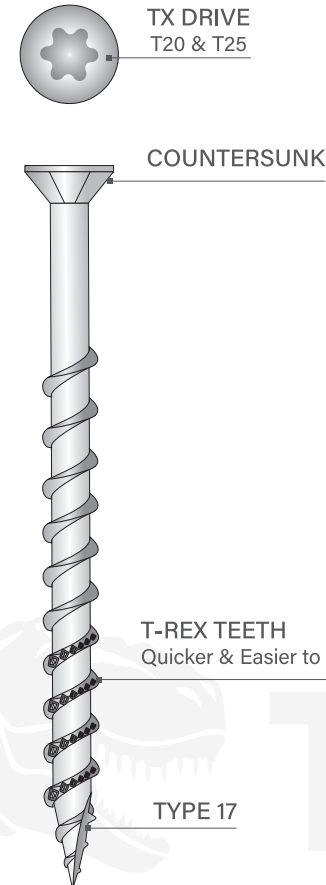
OutDoor XGuard Premium Coating.
Salt Spray Test exceeds 1000 hours.
Independently tested in New Zealand.



ECKO T-REX17®

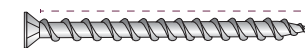
TimbaTX® MULTI-PURPOSE SCREWS

Countersunk Head TX Drive - 304 S/Steel



Features & Benefits

- HEAD**
Countersunk Head
- DRIVE**
TX drive T20 (8G)
TX drive T25 (10G)
- FULL THREAD**
Screw lengths from 20 - 25mm
- FINISH**
304 S/Steel
- T-REX TEETH**
Quicker & Easier to install
Starting at screw lengths of 50mm
- TYPE 17**
Self-piercing predrilling
Starting at screw lengths of 50mm
- NEEDLE POINT**
Screw lengths from 20 - 45mm
- PACK SIZE**
DIY pack & Handy pack



DIA.	LENGTH (mm)	PRODUCT CODE	DRIVE	FINISH	T-REX TEETH	POINT	PCS/PACK	PACK / OUTER	GS1 BARCODE
OutDoor XGuard									
8G	20	TTXG8G20-200	TX Drive T20	XGuard	-	Needle Point	200	6	9420051805767
	20	TTXG8G20-1K	TX Drive T20	XGuard	-	Needle Point	1000	5	9420051805880
	25	TTXG8G25-200	TX Drive T20	XGuard	-	Needle Point	200	6	9420051805774
	25	TTXG8G25-1K	TX Drive T20	XGuard	-	Needle Point	1000	5	9420051805897
	32	TTXG8G32-200	TX Drive T20	XGuard	-	Needle Point	200	6	9420051805781
	32	TTXG8G32-1K	TX Drive T20	XGuard	-	Needle Point	1000	5	9420051805903
	40	TTXG8G40-150	TX Drive T20	XGuard	-	Needle Point	150	6	9420051805798
	40	TTXG8G40-500	TX Drive T20	XGuard	-	Needle Point	500	5	9420051805910
	45	TTXG8G45-150	TX Drive T20	XGuard	-	Needle Point	150	6	9420051805804
	45	TTXG8G45-500	TX Drive T20	XGuard	-	Needle Point	500	5	9420051805927
	50	TTXG8G50-125	TX Drive T20	XGuard	✓	Type 17	125	6	9420051805811
	50	TTXG8G50-500	TX Drive T20	XGuard	✓	Type 17	500	5	9420051805934
	65	TTXG8G65-125	TX Drive T20	XGuard	✓	Type 17	125	6	9420051805828
	65	TTXG8G65-500	TX Drive T20	XGuard	✓	Type 17	500	5	9420051805941
10G	50	TTXG10G50-100	TX Drive T25	XGuard	✓	Type 17	100	6	9420051805835
	50	TTXG10G50-300	TX Drive T25	XGuard	✓	Type 17	300	5	9420051805958
	65	TTXG10G65-100	TX Drive T25	XGuard	✓	Type 17	100	6	9420051805842
	65	TTXG10G65-300	TX Drive T25	XGuard	✓	Type 17	300	5	9420051805965
	75	TTXG10G75-75	TX Drive T25	XGuard	✓	Type 17	75	6	9420051805859
	75	TTXG10G75-300	TX Drive T25	XGuard	✓	Type 17	300	5	9420051805972
	90	TTXG10G90-75	TX Drive T25	XGuard	✓	Type 17	75	6	9420051805866
	90	TTXG10G90-300	TX Drive T25	XGuard	✓	Type 17	300	5	9420051805989
	100	TTXG10G100-75	TX Drive T25	XGuard	✓	Type 17	75	6	9420051805873
	100	TTXG10G100-300	TX Drive T25	XGuard	✓	Type 17	300	5	9420051805996

DIA.	LENGTH (mm)	PRODUCT CODE	DRIVE	FINISH	T-REX TEETH	POINT	PCS/PACK	PACK / OUTER	GS1 BARCODE
304 Stainless Steel									
8G	20	TT3048G20-200	TX Drive T20	304 S/Steel	-	Needle Point	200	6	9420051806009
	20	TT3048G20-1K	TX Drive T20	304 S/Steel	-	Needle Point	1000	5	9420051806122
	25	TT3048G25-200	TX Drive T20	304 S/Steel	-	Needle Point	200	6	9420051806016
	25	TT3048G25-1K	TX Drive T20	304 S/Steel	-	Needle Point	1000	5	9420051806139
	32	TT3048G32-200	TX Drive T20	304 S/Steel	-	Needle Point	200	6	9420051806023
	32	TT3048G32-1K	TX Drive T20	304 S/Steel	-	Needle Point	1000	5	9420051806146
	40	TT3048G40-150	TX Drive T20	304 S/Steel	-	Needle Point	150	6	9420051806030
	40	TT3048G40-500	TX Drive T20	304 S/Steel	-	Needle Point	500	5	9420051806153
	45	TT3048G45-150	TX Drive T20	304 S/Steel	-	Needle Point	150	6	9420051806047
	45	TT3048G45-500	TX Drive T20	304 S/Steel	-	Needle Point	500	5	9420051806160
	50	TT3048G50-125	TX Drive T20	304 S/Steel	✓	Type 17	125	6	9420051806054
	50	TT3048G50-500	TX Drive T20	304 S/Steel	✓	Type 17	500	5	9420051806177
	65	TT3048G65-125	TX Drive T20	304 S/Steel	✓	Type 17	125	6	9420051806061
	65	TT3048G65-500	TX Drive T20	304 S/Steel	✓	Type 17	500	5	9420051806184
10G	50	TT30410G50-100	TX Drive T25	304 S/Steel	✓	Type 17	100	6	9420051806078
	50	TT30410G50-300	TX Drive T25	304 S/Steel	✓	Type 17	300	5	9420051806191
	65	TT30410G65-100	TX Drive T25	304 S/Steel	✓	Type 17	100	6	9420051806085
	65	TT30410G65-300	TX Drive T25	304 S/Steel	✓	Type 17	300	5	9420051806207
	75	TT30410G75-75	TX Drive T25	304 S/Steel	✓	Type 17	75	6	9420051806092
	75	TT30410G75-300	TX Drive T25	304 S/Steel	✓	Type 17	300	5	9420051806214
	90	TT30410G90-75	TX Drive T25	304 S/Steel	✓	Type 17	75	6	9420051806108
	90	TT30410G90-300	TX Drive T25	304 S/Steel	✓	Type 17	300	5	9420051806221
	100	TT30410G100-75	TX Drive T25	304 S/Steel	✓	Type 17	75	6	9420051806115
	100	TT30410G100-300	TX Drive T25	304 S/Steel	✓	Type 17	300	5	9420051806238

ECKO T-REX17®

CONSTRUCTION SCREWS

Wafer Head TX Drive - OutDoor XGuard



**ECKO-FRIENDLY
PACKAGING**

■ Features & Benefits

- **HEAD**
Wafer Head
- **DRIVE**
TX drive. Allows higher torque transmission than other drive systems enabling fastenings to be tighter and therefore more secure.
- **DOUBLE LOCKING THREAD**
Prevent pull out up to 50%
- **T-REX TEETH**
Quicker & Easier to install
- **TYPE 17**
Self-piercing predrilling
- **FINISH**
OutDoor XGuard



OutDoor XGuard Premium Coating,
Salt Spray Test exceeds 1000 hours.
Independently tested in New Zealand.



ECKO T-REX17®

CONSTRUCTION SCREWS

Wafer Head TX Drive - OutDoor XGuard

DIA.	LENGTH (mm)	PRODUCT CODE	DRIVE	FINISH	T-REX TEETH	POINT	PCS/PACK	GS1 BARCODE
OutDoor XGuard								
M6	80	TCWM680L-1	TX Drive T30	XGuard	✓	Type 17	Each	9420051803237
	80	TCWM680L-100	TX Drive T30	XGuard	✓	Type 17	100	9420051802926
	100	TCWM6100L-1	TX Drive T30	XGuard	✓	Type 17	Each	9420051803244
	100	TCWM6100L-100	TX Drive T30	XGuard	✓	Type 17	100	9420051802933
	120	TCWM6120L-1	TX Drive T30	XGuard	✓	Type 17	Each	9420051803251
	120	TCWM6120L-100	TX Drive T30	XGuard	✓	Type 17	100	9420051802940
	140	TCWM6140L-1	TX Drive T30	XGuard	✓	Type 17	Each	9420051803268
	140	TCWM6140L-100	TX Drive T30	XGuard	✓	Type 17	100	9420051802957
	160	TCWM6160L-1	TX Drive T30	XGuard	✓	Type 17	Each	9420051803275
	160	TCWM6160L-100	TX Drive T30	XGuard	✓	Type 17	100	9420051802964
M8	180	TCWM6180L-1	TX Drive T30	XGuard	✓	Type 17	Each	9420051803282
	180	TCWM6180L-100	TX Drive T30	XGuard	✓	Type 17	100	9420051802971
	80	TCWM880L-1	TX Drive T40	XGuard	✓	Type 17	Each	9420051803299
	80	TCWM880L-50	TX Drive T40	XGuard	✓	Type 17	50	9420051802988
	100	TCWM8100L-1	TX Drive T40	XGuard	✓	Type 17	Each	9420051803305
	100	TCWM8100L-50	TX Drive T40	XGuard	✓	Type 17	50	9420051802995
	120	TCWM8120L-1	TX Drive T40	XGuard	✓	Type 17	Each	9420051803312
	120	TCWM8120L-50	TX Drive T40	XGuard	✓	Type 17	50	9420051803008
	140	TCWM8140L-1	TX Drive T40	XGuard	✓	Type 17	Each	9420051803329
	140	TCWM8140L-50	TX Drive T40	XGuard	✓	Type 17	50	9420051803015
M10	160	TCWM8160L-1	TX Drive T40	XGuard	✓	Type 17	Each	9420051803336
	160	TCWM8160L-50	TX Drive T40	XGuard	✓	Type 17	50	9420051803022
	180	TCWM8180L-1	TX Drive T40	XGuard	✓	Type 17	Each	9420051803343
	180	TCWM8180L-50	TX Drive T40	XGuard	✓	Type 17	50	9420051803039
	200	TCWM8200L-1	TX Drive T40	XGuard	✓	Type 17	Each	9420051803350
	200	TCWM8200L-50	TX Drive T40	XGuard	✓	Type 17	50	9420051803046
	80	TCWM1080L-1	TX Drive T50	XGuard	✓	Type 17	Each	9420051803367
	80	TCWM1080L-50	TX Drive T50	XGuard	✓	Type 17	50	9420051803053
	100	TCWM10100L-1	TX Drive T50	XGuard	✓	Type 17	Each	9420051803374
	100	TCWM10100L-50	TX Drive T50	XGuard	✓	Type 17	50	9420051803060
M10	120	TCWM10120L-1	TX Drive T50	XGuard	✓	Type 17	Each	9420051803381
	120	TCWM10120L-50	TX Drive T50	XGuard	✓	Type 17	50	9420051803077
	140	TCWM10140L-1	TX Drive T50	XGuard	✓	Type 17	Each	9420051803398
	140	TCWM10140L-25	TX Drive T50	XGuard	✓	Type 17	25	9420051803084
	160	TCWM10160L-1	TX Drive T50	XGuard	✓	Type 17	Each	9420051803404
	160	TCWM10160L-25	TX Drive T50	XGuard	✓	Type 17	25	9420051803091
	180	TCWM10180L-1	TX Drive T50	XGuard	✓	Type 17	Each	9420051803411
	180	TCWM10180L-25	TX Drive T50	XGuard	✓	Type 17	25	9420051803107
	200	TCWM10200L-1	TX Drive T50	XGuard	✓	Type 17	Each	9420051803428
	200	TCWM10200L-25	TX Drive T50	XGuard	✓	Type 17	25	9420051803114
	220	TCWM10220L-1	TX Drive T50	XGuard	✓	Type 17	Each	9420051803435
	220	TCWM10220L-25	TX Drive T50	XGuard	✓	Type 17	25	9420051803121
	240	TCWM10240L-1	TX Drive T50	XGuard	✓	Type 17	Each	9420051803442
	240	TCWM10240L-25	TX Drive T50	XGuard	✓	Type 17	25	9420051803138
	260	TCWM10260L-1	TX Drive T50	XGuard	✓	Type 17	Each	9420051803459
	260	TCWM10260L-25	TX Drive T50	XGuard	✓	Type 17	25	9420051803145
	280	TCWM10280L-1	TX Drive T50	XGuard	✓	Type 17	Each	9420051803466
	280	TCWM10280L-25	TX Drive T50	XGuard	✓	Type 17	25	9420051803152
300	TCWM10300L-1	TX Drive T50	XGuard	✓	Type 17	Each	9420051803473	
300	TCWM10300L-25	TX Drive T50	XGuard	✓	Type 17	25	9420051803169	
360	TCWM10360L-1	TX Drive T50	XGuard	✓	Type 17	Each	9420051803480	
360	TCWM10360L-25	TX Drive T50	XGuard	✓	Type 17	25	9420051803176	

ECKO T-REX17® CONSTRUCTION SCREWS

Countersunk Head TX Drive - OutDoor XGuard



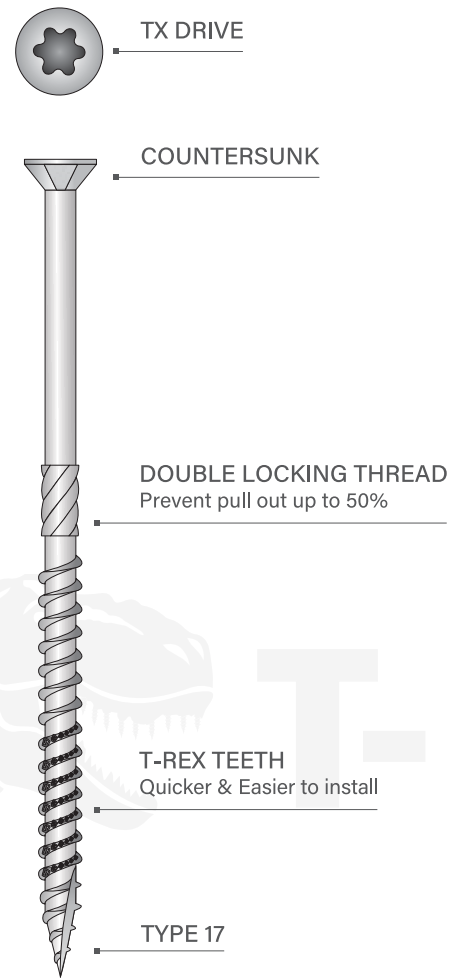
ECKO-FRIENDLY
PACKAGING

Features & Benefits

- **HEAD**
Countersunk
- **DRIVE**
TX drive. Allows higher torque transmission than other drive systems enabling fastenings to be tighter and therefore more secure.
- **DOUBLE LOCKING THREAD**
Prevent pull out up to 50%
- **T-REX TEETH**
Quicker & Easier to install
- **TYPE 17**
Self-piercing predrilling
- **FINISH**
OutDoor XGuard



OutDoor XGuard Premium Coating.
Salt Spray Test exceeds 1000 hours.
Independently tested in New Zealand.



ECKO T-REX17® CONSTRUCTION SCREWS

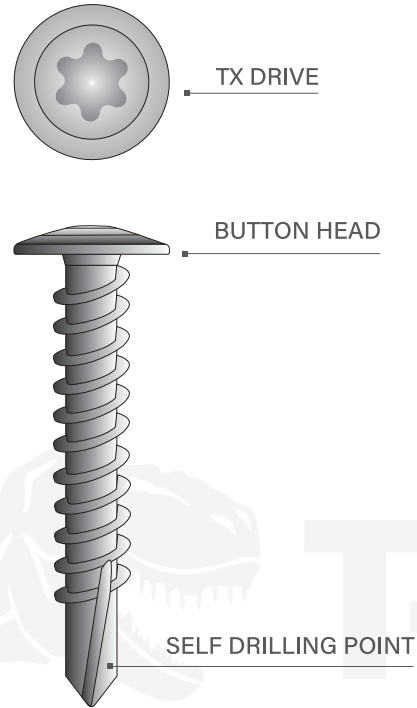
Countersunk Head TX Drive - OutDoor XGuard

DIA.	LENGTH (mm)	PRODUCT CODE	DRIVE	FINISH	T-REX TEETH	POINT	PCS/PACK	GS1 BARCODE
OutDoor XGuard								
M8	100	TCCM8100L-1	TX Drive T40	XGuard	✓	Type 17	Each	9420051804449
	100	TCCM8100L-50	TX Drive T40	XGuard	✓	Type 17	50	9420051802858
	120	TCCM8120L-1	TX Drive T40	XGuard	✓	Type 17	Each	9420051804456
	120	TCCM8120L-50	TX Drive T40	XGuard	✓	Type 17	50	9420051802865
	140	TCCM8140L-1	TX Drive T40	XGuard	✓	Type 17	Each	9420051804463
M10	140	TCCM8140L-50	TX Drive T40	XGuard	✓	Type 17	50	9420051802872
	100	TCCM10100L-1	TX Drive T50	XGuard	✓	Type 17	Each	9420051804470
	100	TCCM10100L-50	TX Drive T50	XGuard	✓	Type 17	50	9420051802889
	120	TCCM10120L-1	TX Drive T50	XGuard	✓	Type 17	Each	9420051804487
	120	TCCM10120L-50	TX Drive T50	XGuard	✓	Type 17	50	9420051802896
	140	TCCM10140L-1	TX Drive T50	XGuard	✓	Type 17	Each	9420051804494
	140	TCCM10140L-50	TX Drive T50	XGuard	✓	Type 17	50	9420051802902
M10	160	TCCM10160L-1	TX Drive T50	XGuard	✓	Type 17	Each	9420051804500
	160	TCCM10160L-50	TX Drive T50	XGuard	✓	Type 17	50	9420051802919



ECKO T-REX17® BUTTON HEAD SELF-DRILLING SCREWS

TX Drive - C4 Galvanised



Features & Benefits

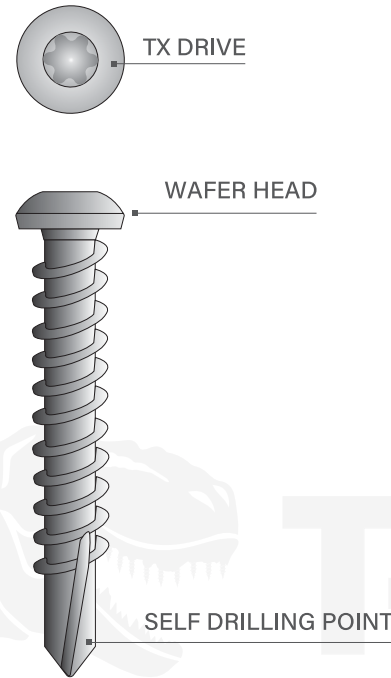
- HEAD**
Button Head
- DRIVE**
TX drive. Allows higher torque transmission than other drive systems enabling fastenings to be tighter and therefore more secure.
- SELF DRILLING POINT**
- FINISH**
C4 Galvanised



DIA.	LENGTH (mm)	PRODUCT CODE	DRIVE	FINISH	POINT	PCS/PACK	GS1 BARCODE
C4 Galvanised							
8G	16	BUTC48G16-200	TX Drive T20	C4 Galvanised	Self Drilling Point	200	9420051806313
	20	BUTC48G20-200	TX Drive T20	C4 Galvanised	Self Drilling Point	200	9420051806320
	30	BUTC48G30-200	TX Drive T20	C4 Galvanised	Self Drilling Point	200	9420051806337

ECKO T-REX17® WAFER HEAD SELF-DRILLING SCREWS

TX Drive - C4 Galvanised



Features & Benefits

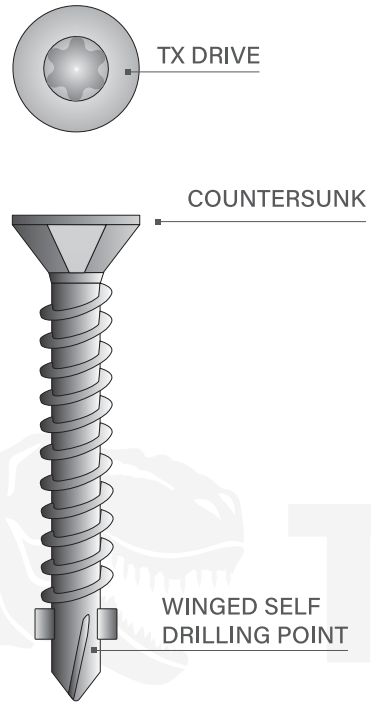
- HEAD**
Wafer Head
- DRIVE**
TX drive. Allows higher torque transmission than other drive systems enabling fastenings to be tighter and therefore more secure.
- SELF DRILLING POINT**
- FINISH**
C4 Galvanised



DIA.	LENGTH (mm)	PRODUCT CODE	DRIVE	FINISH	POINT	PCS/PACK	GS1 BARCODE
C4 Galvanised							
10G	16	W AFC410G16-100	TX Drive T25	C4 Galvanised	Self Drilling Point	100	9420051806344
	20	W AFC410G20-100	TX Drive T25	C4 Galvanised	Self Drilling Point	100	9420051806351
	30	W AFC410G30-100	TX Drive T25	C4 Galvanised	Self Drilling Point	100	9420051806368

ECKO T-REX17® COUNTERSUNK WING SELF-DRILLING SCREWS

TX Drive - C4 Galvanised



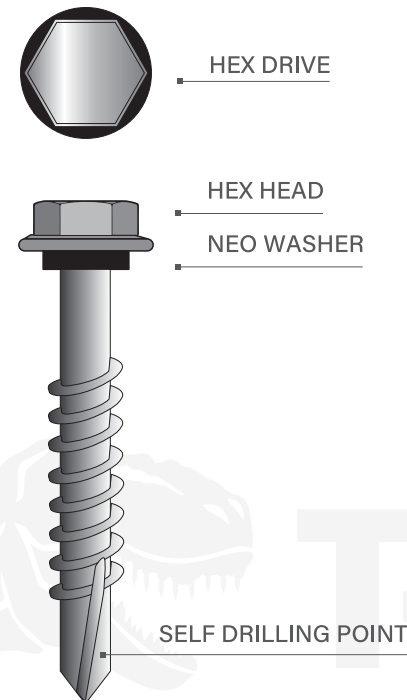
Features & Benefits

- HEAD**
Countersunk
- DRIVE**
TX drive. Allows higher torque transmission than other drive systems enabling fastenings to be tighter and therefore more secure.
- SELF DRILLING POINT**
- FINISH**
C4 Galvanised



ECKO T-REX17® HEX HEAD SCREWS NEO WASHER

Hex Drive - C4 Galvanised



Features & Benefits

- HEAD**
Hex Head NEO washer
- DRIVE**
Hex drive
- SELF DRILLING POINT**
- FINISH**
C4 Galvanised

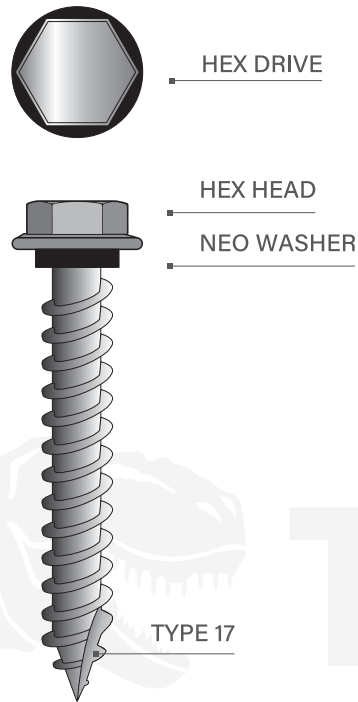


DIA.	LENGTH (mm)	PRODUCT CODE	DRIVE	FINISH	POINT	PCS/PACK	GS1 BARCODE
C4 Galvanised							
10G	35	WINC410G35-100	TX Drive T25	C4 Galvanised	Winged Self Drilling Point	100	9420051806375
	40	WINC410G40-100	TX Drive T25	C4 Galvanised	Winged Self Drilling Point	100	9420051806382
	45	WINC410G45-100	TX Drive T25	C4 Galvanised	Winged Self Drilling Point	100	9420051806399
	55	WINC410G55-100	TX Drive T25	C4 Galvanised	Winged Self Drilling Point	100	9420051806405
	65	WINC410G65-100	TX Drive T25	C4 Galvanised	Winged Self Drilling Point	100	9420051806412

DIA.	LENGTH (mm)	PRODUCT CODE	HEAD	FINISH	POINT	PCS/PACK	GS1 BARCODE
C4 Galvanised							
12G	65	HXC4S12G65N-100	5/16 Hex Head	C4 Galvanised	Self Drilling Point	100	9420051806443
14G	65	HXC4S14G65N-100	3/8 Hex Head	C4 Galvanised	Self Drilling Point	100	9420051806436
	75	HXC4S14G75N-100	3/8 Hex Head	C4 Galvanised	Self Drilling Point	100	9420051806429

ECKO T-REX17® HEX HEAD SCREWS NEO WASHER

Hex Drive - C4 Galvanised



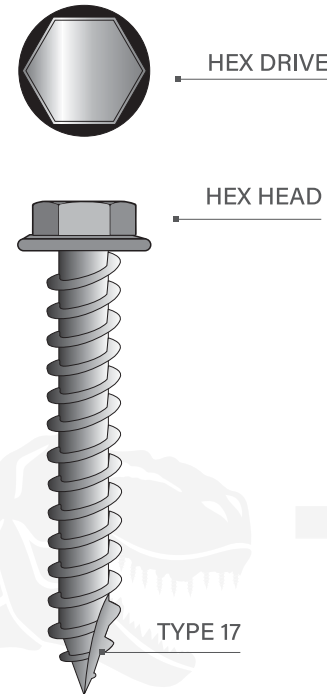
Features & Benefits

- HEAD**
Hex Head NEO washer
- DRIVE**
Hex drive
- Type 17**
- FINISH**
C4 Galvanised



ECKO T-REX17® HEX HEAD SCREWS

Hex Drive - Yellow Zinc & C4 Galvanised



Features & Benefits

- HEAD**
Hex Head
- DRIVE**
Hex drive
- Type 17**
- FINISH**
Yellow Zinc & C4 Galvanised



DIA.	LENGTH (mm)	PRODUCT CODE	HEAD	FINISH	POINT	PCS/PACK	GS1 BARCODE
C4 Galvanised							
10G	25	HXC4T10G25N-100	5/16 Hex Head	C4 Galvanised	Type 17	100	9420051806559
	50	HXC4T12G50N-100	5/16 Hex Head	C4 Galvanised	Type 17	100	9420051806542
12G	65	HXC4T12G65N-100	5/16 Hex Head	C4 Galvanised	Type 17	100	9420051806528
	65	HXC4T12G65N-200	5/16 Hex Head	C4 Galvanised	Type 17	200	9420051806535
14G	55	HXC4T14G55N-100	3/8 Hex Head	C4 Galvanised	Type 17	100	9420051806511
	65	HXC4T14G65N-100	3/8 Hex Head	C4 Galvanised	Type 17	100	9420051806504
	75	HXC4T14G75N-100	3/8 Hex Head	C4 Galvanised	Type 17	100	9420051806481
	75	HXC4T14G75N-200	3/8 Hex Head	C4 Galvanised	Type 17	200	9420051806498
	90	HXC4T14G90N-100	3/8 Hex Head	C4 Galvanised	Type 17	100	9420051806474
	100	HXC4T14G100N-100	3/8 Hex Head	C4 Galvanised	Type 17	100	9420051806450
	100	HXC4T14G100N-200	3/8 Hex Head	C4 Galvanised	Type 17	200	9420051806467

DIA.	LENGTH (mm)	PRODUCT CODE	HEAD	FINISH	POINT	PCS/PACK	GS1 BARCODE
Yellow Zinc							
12G	35	HXYZT12G35-200	5/16 Hex Head	Yellow Zinc	Type 17	200	9420051806689
14G	35	HXYZT14G35-200	3/8 Hex Head	Yellow Zinc	Type 17	200	9420051806672
C4 Galvanised							
12G	25	HXC4T12G25-100	5/16 Hex Head	C4 Galvanised	Type 17	100	9420051806610
	35	HXC4T12G35-200	5/16 Hex Head	C4 Galvanised	Type 17	200	9420051806665
	40	HXC4T12G40-100	5/16 Hex Head	C4 Galvanised	Type 17	100	9420051806603
	50	HXC4T12G50-100	5/16 Hex Head	C4 Galvanised	Type 17	100	9420051806597
14G	35	HXC4T14G35-200	3/8 Hex Head	C4 Galvanised	Type 17	200	9420051806658
	65	HXC4T14G65-100	3/8 Hex Head	C4 Galvanised	Type 17	100	9420051806580
	75	HXC4T14G75-100	3/8 Hex Head	C4 Galvanised	Type 17	100	9420051806573
	100	HXC4T14G100-100	3/8 Hex Head	C4 Galvanised	Type 17	100	9420051806566

COMPLIES DIN 603



COACH BOLT

Cup Head - 316 S/Steel

Nut Excluded



DIA.	LENGTH (mm)	PRODUCT CODE	HEAD	FINISH	NUT INCLUDED	PCS/PACK	GS1 BARCODE
316 Stainless Steel							
M12	130	CB316M12130BX	Cup Head	316 S/Steel	-	10	9420051803565
	140	CB316M12140BX	Cup Head	316 S/Steel	-	10	9420051803572
	150	CB316M12150BX	Cup Head	316 S/Steel	-	10	9420051803589
	160	CB316M12160BX	Cup Head	316 S/Steel	-	10	9420051803596
	180	CB316M12180BX	Cup Head	316 S/Steel	-	10	9420051803602
	200	CB316M12200BX	Cup Head	316 S/Steel	-	10	9420051803619
	220	CB316M12220BX	Cup Head	316 S/Steel	-	10	9420051803626
	240	CB316M12240BX	Cup Head	316 S/Steel	-	10	9420051803633

COMPLIES DIN 931



HEX HEAD BOLT

Hex Head - 316 S/Steel

Nut Excluded



DIA.	LENGTH (mm)	PRODUCT CODE	HEAD	FINISH	NUT INCLUDED	PCS/PACK	GS1 BARCODE
316 Stainless Steel							
M12	100	HB316M12100BX	Hex Head	316 S/Steel	-	10	9420051803640
	110	HB316M12110BX	Hex Head	316 S/Steel	-	10	9420051803657
	120	HB316M12120BX	Hex Head	316 S/Steel	-	10	9420051803664
	130	HB316M12130BX	Hex Head	316 S/Steel	-	10	9420051803671
	140	HB316M12140BX	Hex Head	316 S/Steel	-	10	9420051803688
	150	HB316M12150BX	Hex Head	316 S/Steel	-	10	9420051803695
	160	HB316M12160BX	Hex Head	316 S/Steel	-	10	9420051803701
	180	HB316M12180BX	Hex Head	316 S/Steel	-	10	9420051803718
	200	HB316M12200BX	Hex Head	316 S/Steel	-	10	9420051803725
	220	HB316M12220BX	Hex Head	316 S/Steel	-	10	9420051803732
	250	HB316M12240BX	Hex Head	316 S/Steel	-	10	9420051803749

COMPLIES DIN 603

COACH BOLT & NUT

Cup Head - 316 S/Steel

Nut Included



DIA.	LENGTH (mm)	PRODUCT CODE	HEAD	FINISH	NUT INCLUDED	PCS/PACK	GS1 BARCODE
316 Stainless Steel							
M12	130	CB316M12130ABX	Cup Head	316 S/Steel	✓	10	9420051804142
	140	CB316M12140ABX	Cup Head	316 S/Steel	✓	10	9420051804159
	150	CB316M12150ABX	Cup Head	316 S/Steel	✓	10	9420051804166
	160	CB316M12160ABX	Cup Head	316 S/Steel	✓	10	9420051804173
	180	CB316M12180ABX	Cup Head	316 S/Steel	✓	10	9420051804180
	200	CB316M12200ABX	Cup Head	316 S/Steel	✓	10	9420051804197
	220	CB316M12220ABX	Cup Head	316 S/Steel	✓	10	9420051804203
	240	CB316M12240ABX	Cup Head	316 S/Steel	✓	10	9420051804210

COMPLIES DIN 931

HEX HEAD BOLT & NUT

Hex Head - 316 S/Steel

Nut Included



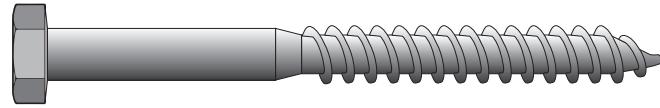
DIA.	LENGTH (mm)	PRODUCT CODE	HEAD	FINISH	NUT INCLUDED	PCS/PACK	GS1 BARCODE
316 Stainless Steel							
M12	100	HB316M12100ABX	Hex Head	316 S/Steel	✓	10	9420051804227
	110	HB316M12110ABX	Hex Head	316 S/Steel	✓	10	9420051804234
	120	HB316M12120ABX	Hex Head	316 S/Steel	✓	10	9420051804241
	130	HB316M12130ABX	Hex Head	316 S/Steel	✓	10	9420051804258
	140	HB316M12140ABX	Hex Head	316 S/Steel	✓	10	9420051804265
	150	HB316M12150ABX	Hex Head	316 S/Steel	✓	10	9420051804272
	160	HB316M12160ABX	Hex Head	316 S/Steel	✓	10	9420051804289
	180	HB316M12180ABX	Hex Head	316 S/Steel	✓	10	9420051804296
	200	HB316M12200ABX	Hex Head	316 S/Steel	✓	10	9420051804302
	220	HB316M12220ABX	Hex Head	316 S/Steel	✓	10	9420051804319
	250	HB316M12240ABX	Hex Head	316 S/Steel	✓	10	9420051804326

COMPLIES DIN 571



COACH SCREW

Hex Head - 316 S/Steel
Nut Excluded



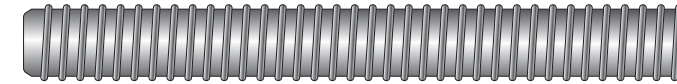
DIA.	LENGTH (mm)	PRODUCT CODE	HEAD	FINISH	NUT INCLUDED	PCS/PACK	GS1 BARCODE
316 Stainless Steel							
M12	130	CS316M12130BX	Hex Head	316 S/Steel	-	10	9420051804357
	150	CS316M12150BX	Hex Head	316 S/Steel	-	10	9420051804364
	180	CS316M12180BX	Hex Head	316 S/Steel	-	10	9420051804371
	200	CS316M12200BX	Hex Head	316 S/Steel	-	10	9420051804388
	250	CS316M12250BX	Hex Head	316 S/Steel	-	10	9420051804395

COMPLIES DIN 975



THREADED ROD

316 S/Steel

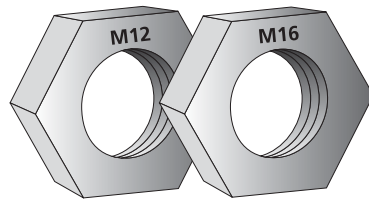


DIA.	LENGTH (mm)	PRODUCT CODE	FINISH	PCS/BUNDLE	GS1 BARCODE
316 Stainless Steel					
M10	1M	TR316M101	316 S/Steel	10	9420051803510
M12	1M	TR316M121	316 S/Steel	10	9420051803527
M16	1M	TR316M161	316 S/Steel	5	9420051803534

COMPLIES DIN 934

HEX NUT

316 S/Steel
M12 & M16

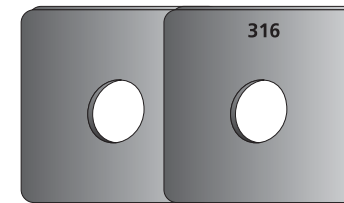


DIA.	PRODUCT CODE	FINISH	PCS/PACK	GS1 BARCODE
316 Stainless Steel				
M12	HN316M12BX	316 S/Steel	10	9420051804333
M16	HN316M16BX	316 S/Steel	10	9420051804340

M12

SQUARE WASHER

HD Galvanised & 316 S/Steel

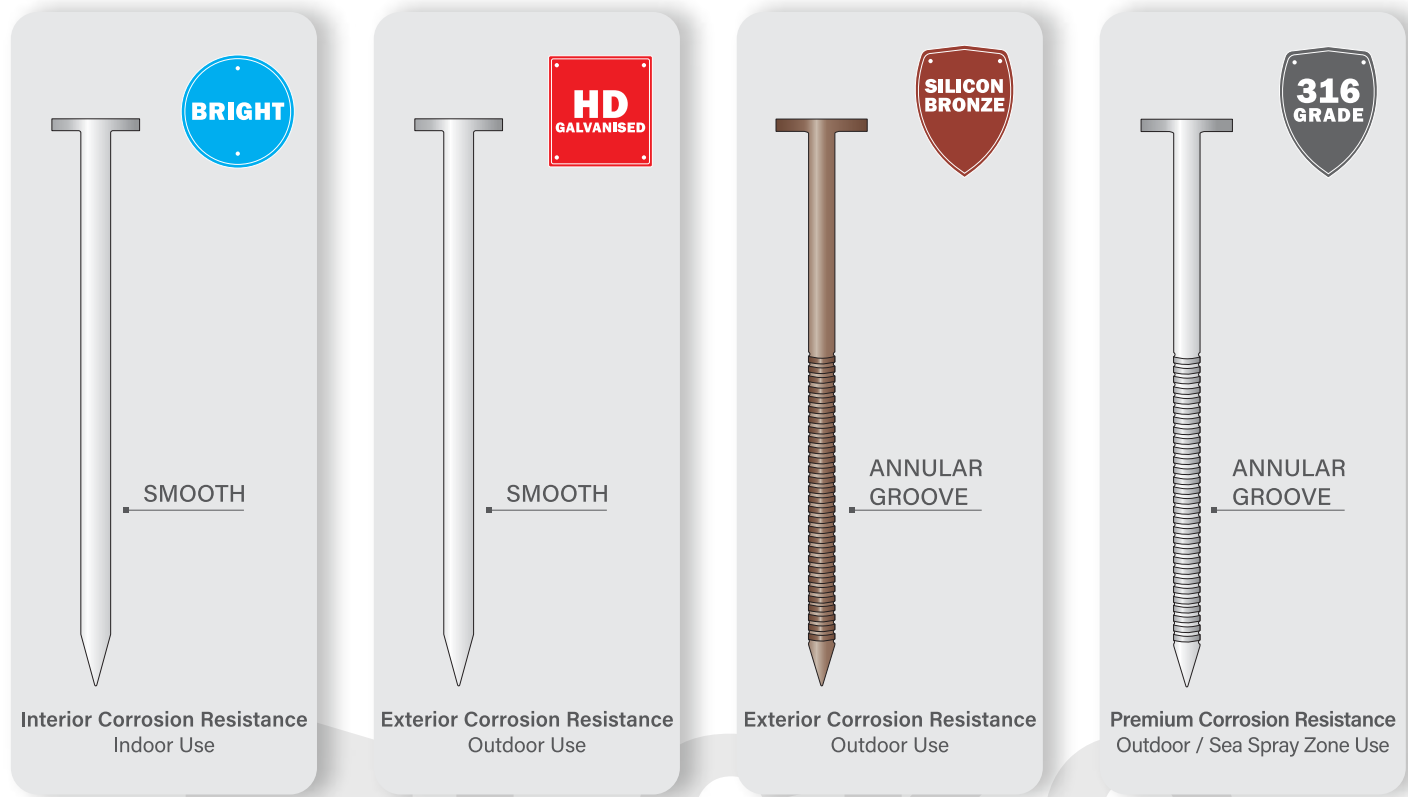


DIA.	LENGTH (mm)	THICKNESS (mm)	PRODUCT CODE	FINISH	SHAPE	PCS/PACK	PACK / OUTER	GS1 BARCODE
HD Galvanised								
M12	50	3	WSQHDM12503-50	HD Galvanised	Square	50	8	9420051804555
316 Stainless Steel								
M12	50	3	WSQA4M12503-50	316 S/Steel	Square	50	8	9420051805040

FLAT HEAD NAIL

LOOSE NAIL

Bright, HD Galv, Silicon Bronze & 316 S/Steel



Interior Corrosion Resistance
Indoor Use

Exterior Corrosion Resistance
Outdoor Use

Exterior Corrosion Resistance
Outdoor Use

Premium Corrosion Resistance
Outdoor / Sea Spray Zone Use



■ **PACK SIZE**
Available in 500G, 2KG, 5KG & 15KG

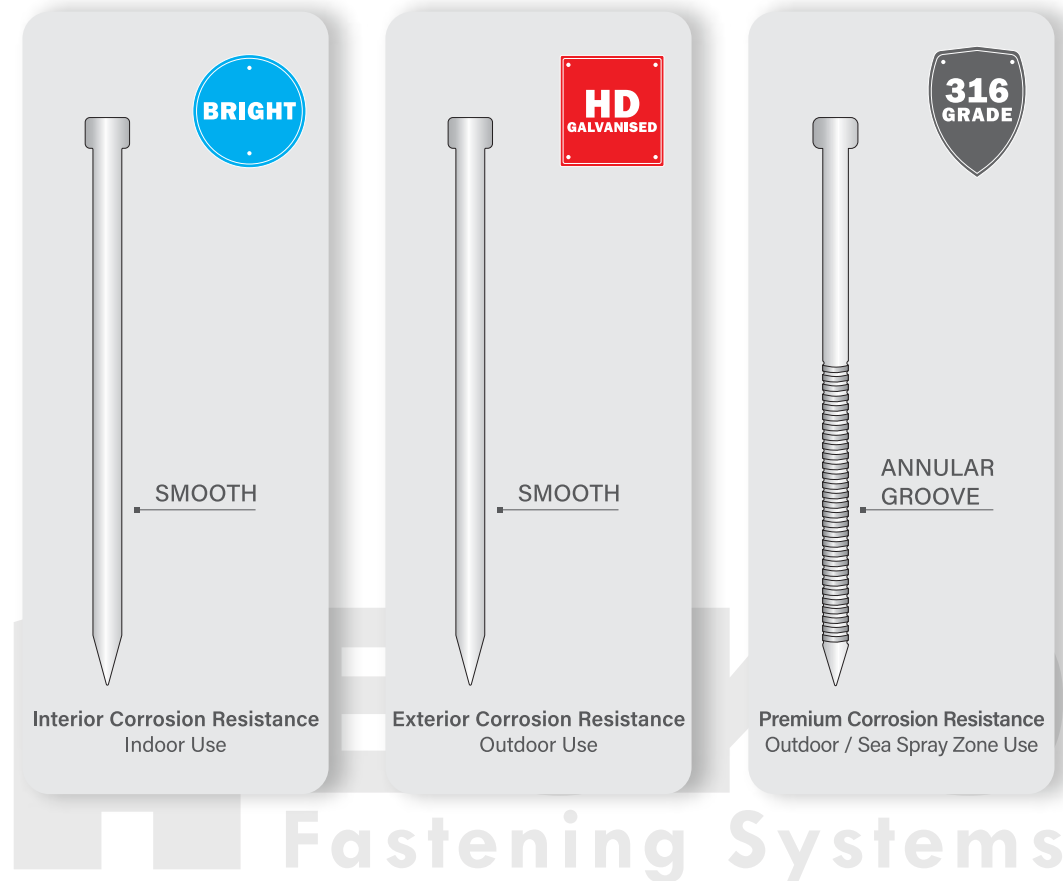
LENGTH (mm)	DIA.	PRODUCT CODE	FINISH	NAIL COUNT (Approx.)	WEIGHT	PACK/OUTER	GS1 BARCODE
Bright							
40	2.00	LBF200040SM5KG	Bright	4,940	5KG	4	9421023342914
50	2.24	LBF224050SM5KG	Bright	3,100	5KG	4	9421023342921
50	2.50	LBF250050SM5KG	Bright	2,508	5KG	4	9421023342938
60	2.80	LBF280060SM5KG	Bright	1,680	5KG	4	9421023342945
75	3.15	LBF315075SM5KG	Bright	1,070	5KG	4	9421023342952
90	3.55	LBF355090SM5KG	Bright	710	5KG	4	9421023342969
100	4.00	LBF400100SM5KG	Bright	520	5KG	4	9421023342976
60	2.80	LBF280060SM15KG	Bright	5,040	15KG	Each	9421023342983
75	3.15	LBF315075SM15KG	Bright	3,210	15KG	Each	9421023342990
90	3.55	LBF355090SM15KG	Bright	2,130	15KG	Each	9421023343003
100	4.00	LBF400100SM15KG	Bright	1,560	15KG	Each	9421023343010

FLAT HEAD NAIL

LENGTH (mm)	DIA.	PRODUCT CODE	FINISH	NAIL COUNT (Approx.)	WEIGHT	PACK/OUTER	GS1 BARCODE
Galvanised							
19	1.60	LGF160019SM500G	Galvanised	1,500	500G	6	9420051800892
25	1.60	LGF160025SM500G	Galvanised	1,200	500G	6	9420051800908
40	2.00	LGF200040SM500G	Galvanised	489	500G	6	9421023343027
50	2.50	LGF250050SM500G	Galvanised	239	500G	6	9421023343034
60	2.80	LGF280060SM500G	Galvanised	162	500G	6	9421023343041
75	3.15	LGF315075SM500G	Galvanised	103	500G	6	9421023343058
90	3.55	LGF355090SM500G	Galvanised	69	500G	6	9421023343065
100	4.00	LGF400100SM500G	Galvanised	49	500G	6	9421023343072
125	5.30	LGF530125SM500G	Galvanised	21	500G	6	9421023343089
150	6.00	LGF600150SM500G	Galvanised	14	500G	6	9421023343096
40	2.00	LGF200040SM2KG	Galvanised	1,956	2KG	5	9421023343102
50	2.50	LGF250050SM2KG	Galvanised	956	2KG	5	9421023343133
60	2.80	LGF280060SM2KG	Galvanised	648	2KG	5	9421023343140
75	3.15	LGF315075SM2KG	Galvanised	412	2KG	5	9421023343157
90	3.55	LGF355090SM2KG	Galvanised	276	2KG	5	9421023343164
100	4.00	LGF400100SM2KG	Galvanised	196	2KG	5	9421023343171
125	5.30	LGF530125SM2KG	Galvanised	84	2KG	5	9421023343195
150	6.00	LGF600150SM2KG	Galvanised	56	2KG	5	9421023343201
40	2.00	LGF200040SM5KG	Galvanised	4,890	5KG	4	9421023343218
50	2.50	LGF250050SM5KG	Galvanised	2,390	5KG	4	9421023343249
60	2.80	LGF280060SM5KG	Galvanised	1,620	5KG	4	9421023343256
75	3.15	LGF315075SM5KG	Galvanised	1,030	5KG	4	9421023343263
90	3.55	LGF355090SM5KG	Galvanised	690	5KG	4	9421023343270
100	4.00	LGF400100SM5KG	Galvanised	490	5KG	4	9421023343287
125	5.30	LGF530125SM5KG	Galvanised	210	5KG	4	9421023343300
150	6.00	LGF600150SM5KG	Galvanised	140	5KG	4	9421023343317
60	2.80	LGF280060SM15KG	Galvanised	4,860	15KG	Each	9421023343324
75	3.15	LGF315075SM15KG	Galvanised	3,090	15KG	Each	9421023343331
90	3.55	LGF355090SM15KG	Galvanised	2,070	15KG	Each	9421023343348
100	4.00	LGF400100SM15KG	Galvanised	1,470	15KG	Each	9421023343355
125	5.30	LGF530125SM15KG	Galvanised	630	15KG	Each	9420051800915
150	6.00	LGF600150SM15KG	Galvanised	420	15KG	Each	9420051800922
Silicon Bronze							
19	1.60	LSBF160019AG100G	Silicon Bronze	300	100G	6	9421023344963
25	1.60	LSBF160025AG100G	Silicon Bronze	240	100G	6	9421023344970
30	2.00	LSBF200030AG100G	Silicon Bronze	120	100G	6	9421023344987
40	2.80	LSBF280040AG500G	Silicon Bronze	247	500G	6	9421023344994
50	2.80	LSBF280050AG500G	Silicon Bronze	190	500G	6	9421023345007
60	3.25	LSBF325060AG500G	Silicon Bronze	113	500G	6	9421023345014
75	3.25	LSBF325075AG500G	Silicon Bronze	97	500G	6	9421023345021
40	2.80	LSBF280040AG2KG	Silicon Bronze	988	2KG	5	9421023345038
50	2.80	LSBF280050AG2KG	Silicon Bronze	760	2KG	5	9421023345045
60	3.25	LSBF325060AG2KG	Silicon Bronze	452	2KG	5	9421023345052
75	3.25	LSBF325075AG2KG	Silicon Bronze	388	2KG	5	9421023345069
40	2.80	LSBF280040AG5KG	Silicon Bronze	2,470	5KG	4	9421023345076
50	2.80	LSBF280050AG5KG	Silicon Bronze	1,900	5KG	4	9421023345083
60	3.25	LSBF325060AG5KG	Silicon Bronze	1,130	5KG	4	9421023345090
75	3.25	LSBF325075AG5KG	Silicon Bronze	970	5KG	4	9421023345106
316 Stainless Steel							
19	1.60	LSSF160019AG500G	316 S/Steel	1,500	500G	6	9420051800939
25	1.60	LSSF160025AG500G	316 S/Steel	1,200	500G	6	9420051800946
30	2.80	LSSF280030AG500G	316 S/Steel	330	500G	6	9421023345113
40	2.80	LSSF280040AG500G	316 S/Steel	247	500G	6	9421023345120
50	2.80	LSSF280050AG500G	316 S/Steel	190	500G	6	9421023345144
60	3.15	LSSF315060AG500G	316 S/Steel	131	500G	6	9421023345151
75	3.15	LSSF315075AG500G	316 S/Steel	104	500G	6	9421023345168
90	4.00	LSSF400090AG500G	316 S/Steel	54	500G	6	9421023345175
100	4.00	LSSF400100AG500G	316 S/Steel	49	500G	6	9421023345182
125	5.30	LSSF530125AG500G	316 S/Steel	21	500G	6	9421023349937
150	5.30	LSSF530150AG500G	316 S/Steel	19	500G	6	9421023349951
30	2.80	LSSF280030AG2KG	316 S/Steel	1,320	2KG	5	9421023345199
40	2.80	LSSF280040AG2KG	316 S/Steel	988	2KG	5	9421023345205
50	2.80	LSSF280050AG2KG	316 S/Steel	760	2KG	5	9421023345229
60	3.15	LSSF315060AG2KG	316 S/Steel	524	2KG	5	9421023345236
75	3.15	LSSF315075AG2KG	316 S/Steel	416	2KG	5	9421023345243
90	4.00	LSSF400090AG2KG	316 S/Steel	216	2KG	5	9421023345250
100	4.00	LSSF400100AG2KG	316 S/Steel	196	2KG	5	9421023345267
30	2.80	LSSF280030AG5KG	316 S/Steel	3,300	5KG	4	9421023345274
40	2.80	LSSF280040AG5KG	316 S/Steel	2,470	5KG	4	9421023345281
50	2.80	LSSF280050AG5KG	316 S/Steel	1,900	5KG	4	9421023345304
60	3.15	LSSF315060AG5KG	316 S/Steel	1,310	5KG	4	9421023345311
75	3.15	LSSF315075AG5KG	316 S/Steel	1,040	5KG	4	9421023345328
90	4.00	LSSF400090AG5KG	316 S/Steel	540	5KG	4	9421023345335
100	4.00	LSSF400100AG5KG	316 S/Steel	490	5KG	4	9421023345342

JOLT HEAD NAIL LOOSE NAIL

Bright, HD Galv & 316 S/Steel



Fastening Systems

- **PACK SIZE**
Available in 500G, 2KG, 5KG & 15KG



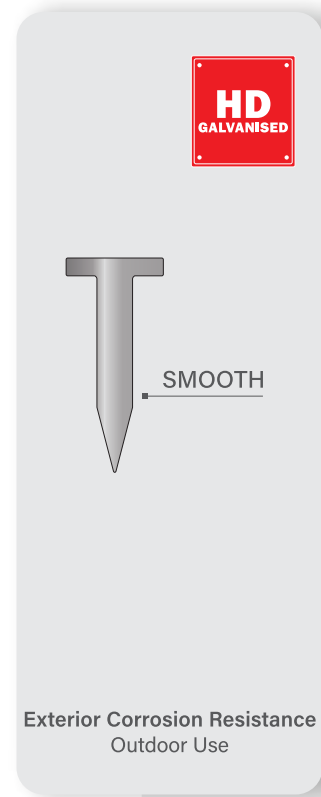
I JOLT HEAD NAIL

LENGTH (mm)	DIA.	PRODUCT CODE	FINISH	NAIL COUNT (Approx.)	WEIGHT	PACK/OUTER	GS1 BARCODE
Bright							
40	2.00	LBJ200040SM5KG	Bright	4,890	5KG	4	9421023343508
50	2.24	LBJ224050SM5KG	Bright	3,100	5KG	4	9421023343515
50	2.50	LBJ250050SM5KG	Bright	2,508	5KG	4	9421023343522
60	2.80	LBJ280060SM5KG	Bright	1,680	5KG	4	9421023343539
75	3.15	LBJ315075SM5KG	Bright	1,070	5KG	4	9421023343546
90	3.55	LBJ355090SM5KG	Bright	630	5KG	4	9421023343553
100	4.00	LBJ400100SM5KG	Bright	520	5KG	4	9421023343560
60	2.80	LBJ280060SM15KG	Bright	5,040	15KG	Each	9421023343577
75	3.15	LBJ315075SM15KG	Bright	3,210	15KG	Each	9421023343584
90	3.55	LBJ355090SM15KG	Bright	1,890	15KG	Each	9421023343591
100	4.00	LBJ400100SM15KG	Bright	1,560	15KG	Each	9421023343607
Galvanised							
40	2.00	LGJ200040SM500G	Galvanised	489	500G	6	9421023343614
50	2.50	LGJ250050SM500G	Galvanised	239	500G	6	9421023343621
60	2.80	LGJ280060SM500G	Galvanised	162	500G	6	9421023343638
75	3.15	LGJ315075SM500G	Galvanised	105	500G	6	9421023343652
90	3.55	LGJ355090SM500G	Galvanised	69	500G	6	9421023343676
100	4.00	LGJ400100SM500G	Galvanised	49	500G	6	9421023343683
125	5.30	LGJ530125SM500G	Galvanised	21	500G	6	9421023343690
150	6.00	LGJ600150SM500G	Galvanised	14	500G	6	9421023343706
40	2.00	LGJ200040SM2KG	Galvanised	1,956	2KG	5	9421023343713
50	2.50	LGJ250050SM2KG	Galvanised	956	2KG	5	9421023343720
60	2.80	LGJ280060SM2KG	Galvanised	648	2KG	5	9421023343737
75	3.15	LGJ315075SM2KG	Galvanised	420	2KG	5	9421023343751
90	3.55	LGJ355090SM2KG	Galvanised	276	2KG	5	9421023343775
100	4.00	LGJ400100SM2KG	Galvanised	196	2KG	5	9421023343782
125	5.30	LGJ530125SM2KG	Galvanised	84	2KG	5	9421023343799
150	6.00	LGJ600150SM2KG	Galvanised	56	2KG	5	9421023343805
40	2.00	LGJ200040SM5KG	Galvanised	4,890	5KG	4	9421023343812
50	2.50	LGJ250050SM5KG	Galvanised	2,390	5KG	4	9421023343829
60	2.80	LGJ280060SM5KG	Galvanised	1,620	5KG	4	9421023343836
75	3.15	LGJ315075SM5KG	Galvanised	1,050	5KG	4	9421023343850
90	3.55	LGJ355090SM5KG	Galvanised	690	5KG	4	9421023343874
100	4.00	LGJ400100SM5KG	Galvanised	490	5KG	4	9421023343881
125	5.30	LGJ530125SM5KG	Galvanised	210	5KG	4	9421023343898
150	6.00	LGJ600150SM5KG	Galvanised	140	5KG	4	9421023343904
60	2.80	LGJ280060SM15KG	Galvanised	4,860	15KG	Each	9421023343911
75	3.15	LGJ315075SM15KG	Galvanised	3,150	15KG	Each	9421023343935
90	3.55	LGJ355090SM15KG	Galvanised	2,070	15KG	Each	9421023343959
100	4.00	LGJ400100SM15KG	Galvanised	1,470	15KG	Each	9421023343966
316 Stainless Steel							
30	2.80	LSSJ280030AG500G	316 S/Steel	330	500G	6	9421023345380
50	2.80	LSSJ280050AG500G	316 S/Steel	190	500G	6	9421023345397
60	3.15	LSSJ315060AG500G	316 S/Steel	131	500G	6	9421023345403
75	3.15	LSSJ315075AG500G	316 S/Steel	104	500G	6	9421023345410
90	4.00	LSSJ400090AG500G	316 S/Steel	54	500G	6	9421023345427
100	4.00	LSSJ400100AG500G	316 S/Steel	49	500G	6	9421023345434
125	5.30	LSSJ530125AG500G	316 S/Steel	21	500G	6	9421023349968
150	5.30	LSSJ530150AG500G	316 S/Steel	19	500G	6	9420051801219
30	2.80	LSSJ280030AG2KG	316 S/Steel	1,320	2KG	5	9421023345441
50	2.80	LSSJ280050AG2KG	316 S/Steel	760	2KG	5	9421023345458
60	3.15	LSSJ315060AG2KG	316 S/Steel	524	2KG	5	9421023345465
75	3.15	LSSJ315075AG2KG	316 S/Steel	416	2KG	5	9421023345472
90	4.00	LSSJ400090AG2KG	316 S/Steel	216	2KG	5	9421023345489
100	4.00	LSSJ400100AG2KG	316 S/Steel	196	2KG	5	9421023345496
30	2.80	LSSJ280030AG5KG	316 S/Steel	3,300	5KG	4	9421023345502
50	2.80	LSSJ280050AG5KG	316 S/Steel	1,900	5KG	4	9421023345519
60	3.15	LSSJ315060AG5KG	316 S/Steel	1,310	5KG	4	9421023345526
75	3.15	LSSJ315075AG5KG	316 S/Steel	1,040	5KG	4	9421023345533
90	4.00	LSSJ400090AG5KG	316 S/Steel	540	5KG	4	9421023345540
100	4.00	LSSJ400100AG5KG	316 S/Steel	490	5KG	4	9421023345557

BRACKET NAIL

LOOSE NAIL

HD Galv & 316 S/Steel



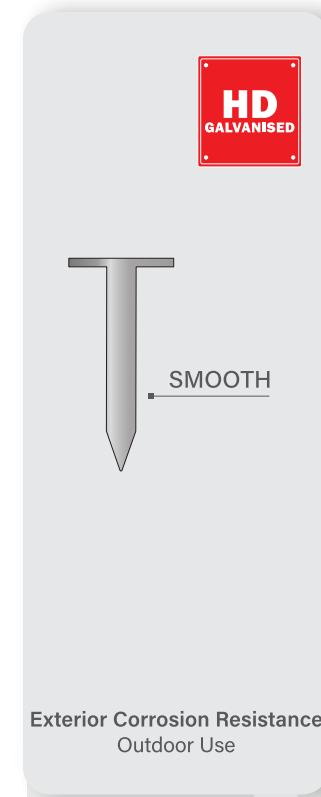
- **PACK SIZE**
Available in 500G, 2KG, 5KG & 15KG



CLOUT NAIL

LOOSE NAIL

HD Galvanised



- **PACK SIZE**
Available in 500G, 2KG, 5KG & 15KG



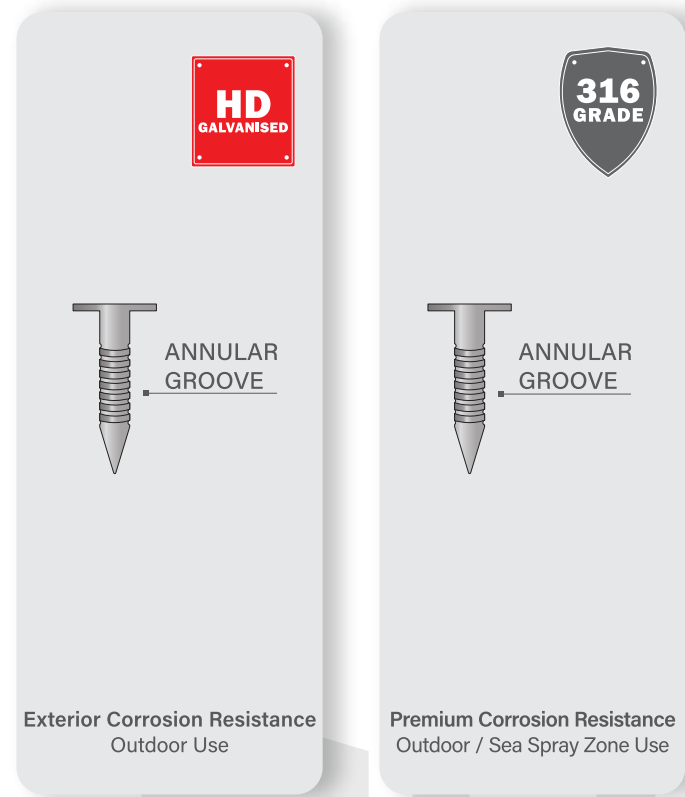
LENGTH (mm)	DIA.	PRODUCT CODE	FINISH	NAIL COUNT (Approx.)	WEIGHT	PACK/OUTER	GS1 BARCODE
Galvanised							
30	3.15	LGPR315030SM500G	Galvanised	252	500G	6	9421023343973
30	3.15	LGPR315030SM2KG	Galvanised	1,008	2KG	5	9421023344000
30	3.15	LGPR315030SM5KG	Galvanised	2,520	5KG	4	9421023344017
316 Stainless Steel							
30	3.15	LSSPR315030AG500G	316 S/Steel	252	500G	6	9421023345359
45	3.33	LSSF333045AG500G	316 S/Steel	157	500G	6	9421023345137
30	3.15	LSSPR315030AG2KG	316 S/Steel	1,008	2KG	5	9421023345366
45	3.33	LSSF333045AG2KG	316 S/Steel	628	2KG	5	9421023345212
30	3.15	LSSPR315030AG5KG	316 S/Steel	2,520	5KG	4	9421023345373
45	3.33	LSSF333045AG5KG	316 S/Steel	1,570	5KG	4	9421023345298

LENGTH (mm)	DIA.	PRODUCT CODE	FINISH	NAIL COUNT (Approx.)	WEIGHT	PACK/OUTER	GS1 BARCODE
Galvanised							
30	2.50	LGCL250030SM500G	Galvanised	417	500G	6	9421023344031
40	2.50	LGCL250040SM500G	Galvanised	313	500G	6	9421023344048
30	2.50	LGCL250030SM2KG	Galvanised	1,668	2KG	5	9421023344055
40	2.50	LGCL250040SM2KG	Galvanised	1,252	2KG	5	9421023344062
30	2.50	LGCL250030SM5KG	Galvanised	4,170	5KG	4	9421023344079
40	2.50	LGCL250040SM5KG	Galvanised	3,130	5KG	4	9421023344086

UNDERLAY NAIL

LOOSE NAIL

HD Galv & 316 S/Steel



- **PACK SIZE**
Available in 500G, 2KG, 5KG & 15KG



PLASTERBOARD NAIL

LOOSE NAIL

Gold Passivated



- **PACK SIZE**
Available in 500G & 5KG



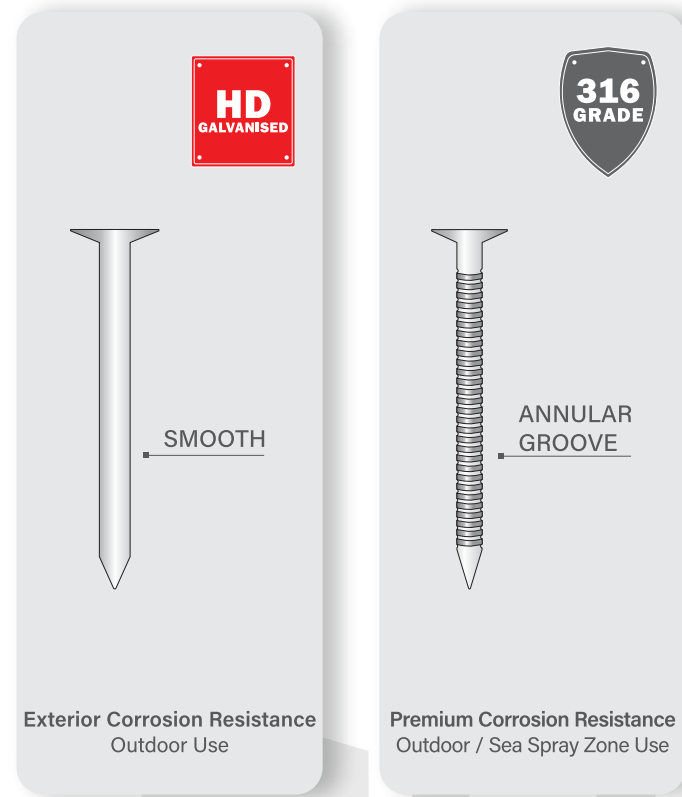
LENGTH (mm)	DIA.	PRODUCT CODE	FINISH	NAIL COUNT (Approx.)	WEIGHT	PACK/OUTER	GS1 BARCODE
Galvanised							
25	2.50	LGUN250025AG500G	Galvanised	500	500G	6	9421023344116
25	2.50	LGUN250025AG2KG	Galvanised	2,000	2KG	5	9421023344123
25	2.50	LGUN250025AG5KG	Galvanised	5,000	5KG	4	9421023344130
316 Stainless Steel							
25	2.50	LSSUN250025AG500G	316 S/Steel	500	500G	6	9421023349975

LENGTH (mm)	DIA.	PRODUCT CODE	FINISH	NAIL COUNT (Approx.)	WEIGHT	PACK/OUTER	GS1 BARCODE
Gold Passivated							
30	2.80	LZPL280030AG500G	Gold Passivated	330	500G	6	9421023349708
40	2.80	LZPL280040AG500G	Gold Passivated	247	500G	6	9421023349715
30	2.80	LZPL280030AG5KG	Gold Passivated	3,300	5KG	4	9421023349722
40	2.80	LZPL280040AG5KG	Gold Passivated	2,470	5KG	4	9421023349739

FIBRE CEMENT NAIL

LOOSE NAIL

HD Galv & 316 S/Steel



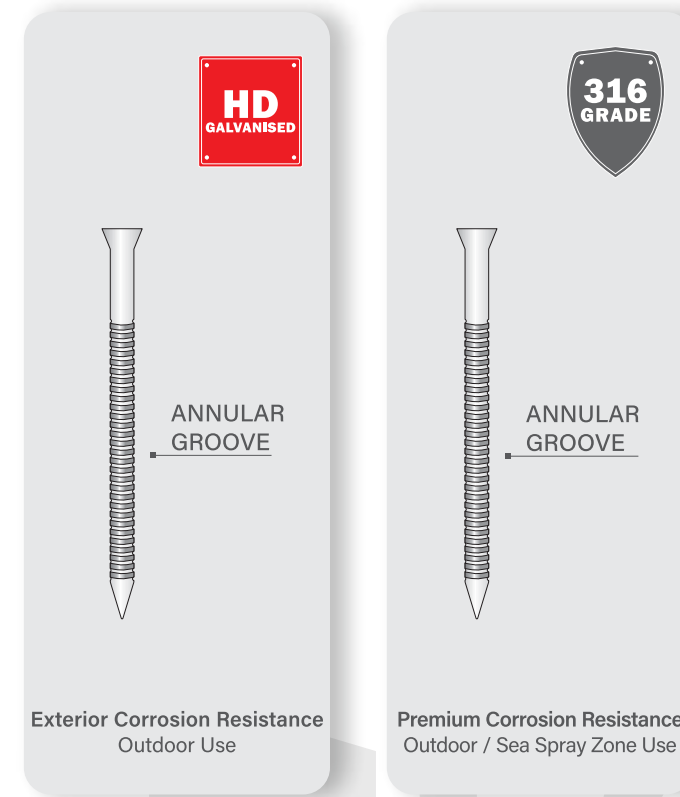
- **PACK SIZE**
Available in 500G, 2KG, 5KG & 15KG



DECKING NAIL

LOOSE NAIL

HD Galv & 316 S/Steel



- **PACK SIZE**
Available in 500G, 2KG, 5KG & 15KG



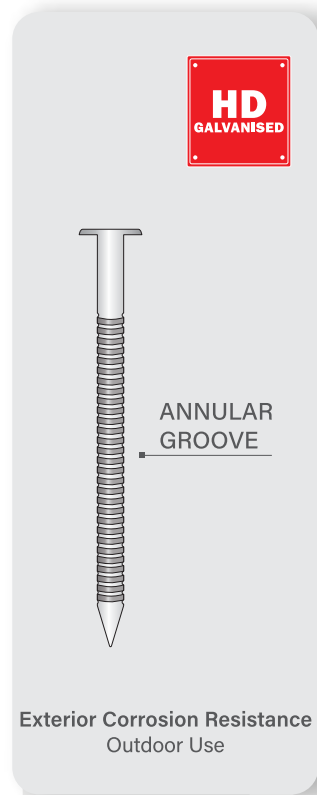
LENGTH (mm)	DIA.	PRODUCT CODE	FINISH	NAIL COUNT (Approx.)	WEIGHT	PACK/OUTER	GS1 BARCODE
Galvanised							
40	2.80	LGFC280040SM500G	Galvanised	247	500G	6	9421023344147
50	2.80	LGFC280050SM500G	Galvanised	190	500G	6	9421023344154
60	3.15	LGFC315060SM500G	Galvanised	131	500G	6	9421023344161
40	2.80	LGFC280040SM2KG	Galvanised	988	2KG	5	9421023344178
50	2.80	LGFC280050SM2KG	Galvanised	760	2KG	5	9421023344185
60	3.15	LGFC315060SM2KG	Galvanised	524	2KG	5	9421023344192
40	2.80	LGFC280040SM5KG	Galvanised	2,470	5KG	4	9421023344208
50	2.80	LGFC280050SM5KG	Galvanised	1,900	5KG	4	9421023344215
60	3.15	LGFC315060SM5KG	Galvanised	1,310	5KG	4	9421023344222
316 Stainless Steel							
40	2.80	LSSFC280040AG500G	316 S/Steel	247	500G	6	9421023345625
50	2.80	LSSFC280050AG500G	316 S/Steel	190	500G	6	9421023345632
60	3.15	LSSFC315060AG500G	316 S/Steel	131	500G	6	9421023345649
40	2.80	LSSFC280040AG2KG	316 S/Steel	988	2KG	5	9421023345656
50	2.80	LSSFC280050AG2KG	316 S/Steel	760	2KG	5	9421023345663
60	3.15	LSSFC315060AG2KG	316 S/Steel	524	2KG	5	9421023345670
40	2.80	LSSFC280040AG5KG	316 S/Steel	2,470	5KG	4	9421023345687
50	2.80	LSSFC280050AG5KG	316 S/Steel	1,900	5KG	4	9421023345694
60	3.15	LSSFC315060AG5KG	316 S/Steel	1,310	5KG	4	9421023345700

LENGTH (mm)	DIA.	PRODUCT CODE	FINISH	NAIL COUNT (Approx.)	WEIGHT	PACK/OUTER	GS1 BARCODE
Galvanised							
60	3.15	LGDE315060AG500G	Galvanised	131	500G	6	9421023344260
75	3.15	LGDE315075AG500G	Galvanised	105	500G	6	9421023344277
60	3.15	LGDE315060AG2KG	Galvanised	524	2KG	5	9421023344284
75	3.15	LGDE315075AG2KG	Galvanised	420	2KG	5	9421023344291
60	3.15	LGDE315060AG5KG	Galvanised	1,310	5KG	4	9421023344307
75	3.15	LGDE315075AG5KG	Galvanised	1,050	5KG	4	9421023344314
60	3.15	LGDE315060AG15KG	Galvanised	3,930	15G	Each	9421023344321
75	3.15	LGDE315075AG15KG	Galvanised	3,150	15G	Each	9421023344338
316 Stainless Steel							
60	3.15	LSSDE315060AG500G	316 S/Steel	130	500G	6	9421023345564
75	3.15	LSSDE315075AG500G	316 S/Steel	105	500G	6	9421023345571
60	3.15	LSSDE315060AG2KG	316 S/Steel	520	2KG	5	9421023345588
75	3.15	LSSDE315075AG2KG	316 S/Steel	420	2KG	5	9421023345595
60	3.15	LSSDE315060AG5KG	316 S/Steel	1,300	5KG	4	9421023345601
75	3.15	LSSDE315075AG5KG	316 S/Steel	1,050	5KG	4	9421023345618

FENCE PALING NAIL

LOOSE NAIL

HD Galvanised



- **PACK SIZE**
Available in 500G, 2KG, 5KG & 15KG



LENGTH (mm)	DIA.	PRODUCT CODE	FINISH	NAIL COUNT (Approx.)	WEIGHT	PACK/OUTER	GS1 BARCODE
Galvanised							
60	3.15	LGFE315060AG500G	Galvanised	131	500G	6	9421023344345
60	3.15	LGFE315060AG2KG	Galvanised	524	2KG	5	9421023344352
60	3.15	LGFE315060AG5KG	Galvanised	1,310	5KG	4	9421023344369
60	3.15	LGFE315060AG15KG	Galvanised	3,930	15KG	Each	9421023344376

METAL TILE BLACK COATED NAIL

LOOSE NAIL

HD Galvanised



- **PACK SIZE**
Available in 15KG

LENGTH (mm)	DIA.	PRODUCT CODE	FINISH	NAIL COUNT (Approx.)	WEIGHT	PACK/OUTER	GS1 BARCODE
Galvanised							
50	3.05	LGTB305050AG15KG	Galvanised	5,050	15KG	Each	9421023349913

PANEL PIN

LOOSE NAIL

Zinc Plated & 316 S/Steel



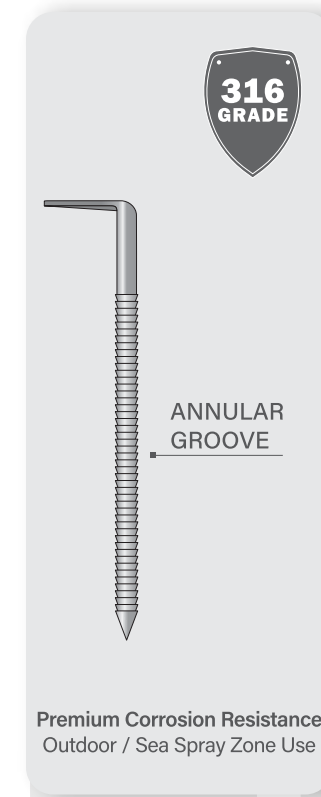
- **PACK SIZE**
Available in 100G & 500G



CLINCH NAIL

LOOSE NAIL

316 S/Steel



- **PACK SIZE**
Available in 500G



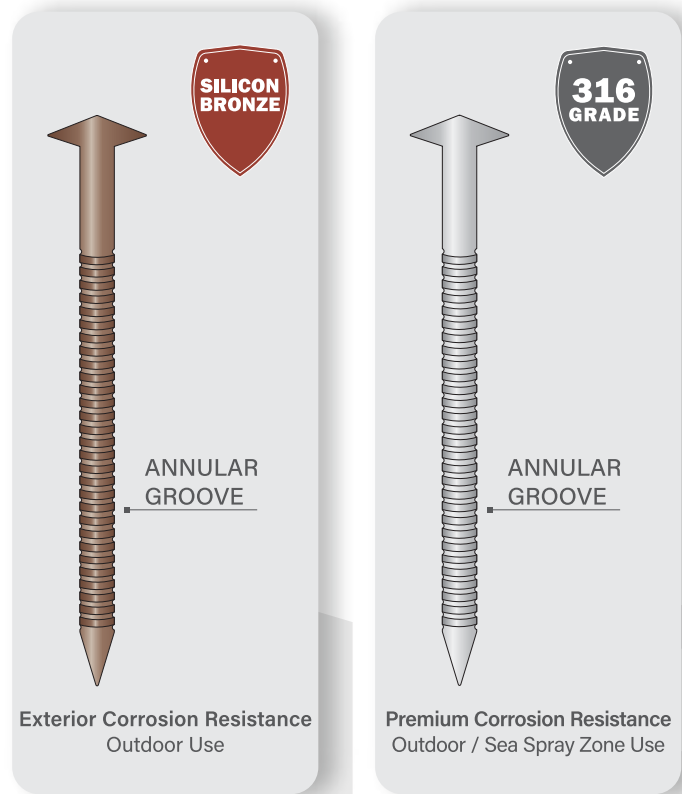
LENGTH (mm)	DIA.	PRODUCT CODE	FINISH	NAIL COUNT (Approx.)	WEIGHT	PACK/OUTER	GS1 BARCODE
Zinc Plated							
19	1.60	LZPP160019SM500G	Zinc Plated	1,500	500G	6	9421023344628
25	1.60	LZPP160025SM500G	Zinc Plated	1,200	500G	6	9421023349760
30	1.60	LZPP160030SM500G	Zinc Plated	1,000	500G	6	9421023349777
40	1.60	LZPP160040SM500G	Zinc Plated	760	500G	6	9421023349784
50	2.00	LZPP200050SM500G	Zinc Plated	390	500G	6	9421023349791
316 Stainless Steel							
25	1.60	LSSPP160025SM100G	316 S/Steel	240	100G	6	9421023349876
30	1.60	LSSPP160030SM100G	316 S/Steel	200	100G	6	9421023349883
40	1.60	LSSPP160040SM100G	316 S/Steel	152	100G	6	9421023349890
50	2.00	LSSPP200050SM100G	316 S/Steel	78	100G	6	9421023349906

LENGTH (mm)	DIA.	PRODUCT CODE	FINISH	NAIL COUNT (Approx.)	WEIGHT	PACK/OUTER	GS1 BARCODE
316 Stainless Steel							
30	2.00	LSSCLINCH40AG500G	316 S/Steel	490	500G	6	9420051801233
50	2.80	LSSCLINCH50AG500G	316 S/Steel	392	500G	6	9421023349944

ROSE HEAD NAIL

LOOSE NAIL

Silicon Bronze & 316 S/Steel



ECKO
Fastening Systems

PACK SIZE

Available in 500G, 2KG, 5KG & 15KG



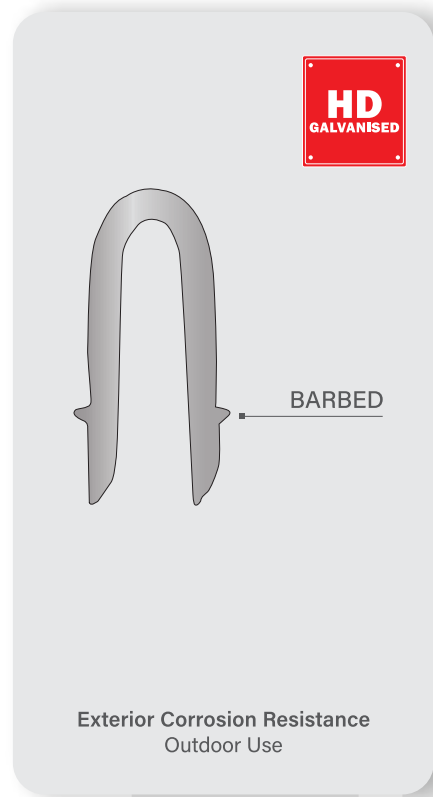
I ROSE HEAD NAIL

LENGTH (mm)	DIA.	PRODUCT CODE	FINISH	NAIL COUNT (Approx.)	WEIGHT	PACK/OUTER	GS1 BARCODE
Silicon Bronze							
30	2.00	LSBRO200030AG500G	Silicon Bronze	640	500G	6	9421023344833
50	2.80	LSBRO280050AG500G	Silicon Bronze	190	500G	6	9421023344840
60	3.25	LSBRO325060AG500G	Silicon Bronze	113	500G	6	9421023344857
75	3.25	LSBRO325075AG500G	Silicon Bronze	97	500G	6	9421023344864
100	4.00	LSBRO400100AG500G	Silicon Bronze	49	500G	6	9421023344871
30	2.00	LSBRO200030AG2KG	Silicon Bronze	2,560	2KG	5	9421023344888
50	2.80	LSBRO280050AG2KG	Silicon Bronze	760	2KG	5	9421023344895
60	3.25	LSBRO325060AG2KG	Silicon Bronze	452	2KG	5	9421023344901
75	3.25	LSBRO325075AG2KG	Silicon Bronze	388	2KG	5	9421023344918
100	4.00	LSBRO400100AG2KG	Silicon Bronze	196	2KG	5	9421023344925
50	2.80	LSBRO280050AG5KG	Silicon Bronze	1,900	5KG	4	9421023344932
60	3.25	LSBRO325060AG5KG	Silicon Bronze	1,130	5KG	4	9421023344949
75	3.25	LSBRO325075AG5KG	Silicon Bronze	970	5KG	4	9421023344956
85	3.25	LSBRO325085AG5KG	Silicon Bronze	860	5KG	4	9421023346219
100	4.00	LSBRO400100AG5KG	Silicon Bronze	490	5KG	4	9421023346226
316 Stainless Steel							
30	2.00	LSSRO200030AG500G	316 S/Steel	640	500G	6	9421023345717
30	2.80	LSSRO280030AG500G	316 S/Steel	330	500G	6	9421023345724
40	2.80	LSSRO280040AG500G	316 S/Steel	988	500G	6	9421023345731
50	2.80	LSSRO280050AG500G	316 S/Steel	190	500G	6	9421023345748
60	3.15	LSSRO315060AG500G	316 S/Steel	131	500G	6	9421023345755
75	3.15	LSSRO315075AG500G	316 S/Steel	104	500G	6	9421023345762
90	4.00	LSSRO400090AG500G	316 S/Steel	54	500G	6	9421023345779
100	4.00	LSSRO400100AG500G	316 S/Steel	49	500G	6	9421023345786
30	2.00	LSSRO200030AG2KG	316 S/Steel	2,560	2KG	5	9421023345793
50	2.80	LSSRO280050AG2KG	316 S/Steel	760	2KG	5	9421023345823
60	3.15	LSSRO315060AG2KG	316 S/Steel	524	2KG	5	9421023345830
75	3.15	LSSRO315075AG2KG	316 S/Steel	416	2KG	5	9421023345847
90	4.00	LSSRO400090AG2KG	316 S/Steel	216	2KG	5	9421023345854
100	4.00	LSSRO400100AG2KG	316 S/Steel	196	2KG	5	9421023345861
30	2.00	LSSRO200030AG5KG	316 S/Steel	6,400	5KG	4	9421023345878
50	2.80	LSSRO280050AG5KG	316 S/Steel	1,900	5KG	4	9421023345908
60	3.15	LSSRO315060AG5KG	316 S/Steel	1,310	5KG	4	9421023345915
75	3.15	LSSRO315075AG5KG	316 S/Steel	1,040	5KG	4	9421023345922
90	4.00	LSSRO400090AG5KG	316 S/Steel	540	5KG	4	9421023345939
100	4.00	LSSRO400100AG5KG	316 S/Steel	490	5KG	4	9421023345946

BARBED STAPLES

LOOSE STAPLES

HD Galvanised



- **PACK SIZE**
Available in 500G, 5KG & 20KG

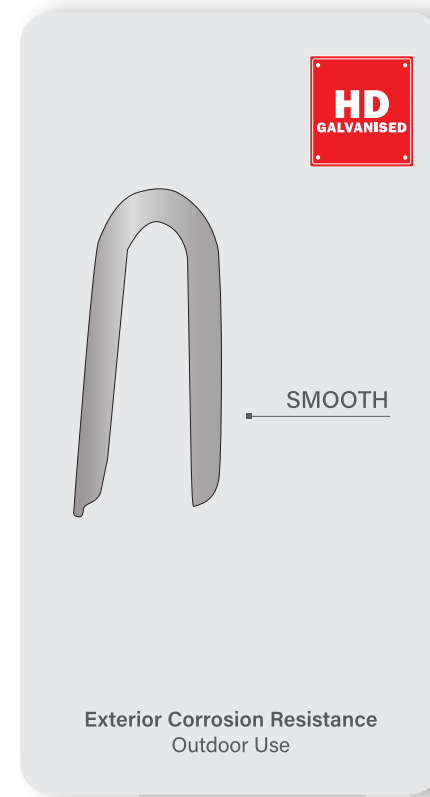


Exterior Corrosion Resistance
Outdoor Use

SLICE CUT STAPLES

LOOSE STAPLES

HD Galvanised



- **PACK SIZE**
Available in 500G, 5KG & 20KG



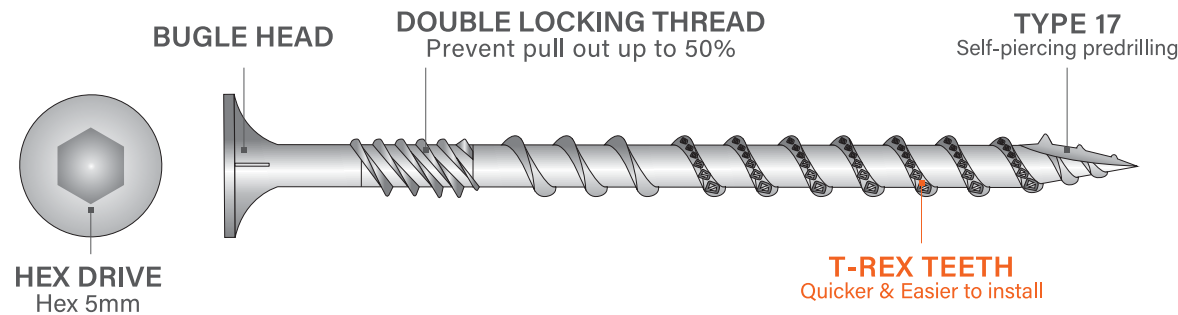
Exterior Corrosion Resistance
Outdoor Use

LENGTH (mm)	DIA.	PRODUCT CODE	FINISH	SHANK	NAIL COUNT	WEIGHT	PACK/OUTER	GS1 BARCODE
Galvanised								
30	3.15	LFBS315030BA500G	Galvanised	Barbed	127	500G	6	9421023349517
40	4.00	LFBS400040BA500G	Galvanised	Barbed	63	500G	6	9421023349524
50	4.00	LFBS400050BA500G	Galvanised	Barbed	50	500G	6	9421023349531
30	3.15	LFBS315030BA5KG	Galvanised	Barbed	1,270	5KG	4	9421023349579
40	4.00	LFBS400040BA5KG	Galvanised	Barbed	630	5KG	4	9421023349586
50	4.00	LFBS400050BA5KG	Galvanised	Barbed	500	5KG	4	9421023349593
30	3.15	LFBS315030BA20KG	Galvanised	Barbed	5,080	20KG	Each	9420051801158
40	4.00	LFBS400040BA20KG	Galvanised	Barbed	2,520	20KG	Each	9420051801165
50	4.00	LFBS400050BA20KG	Galvanised	Barbed	2,000	20KG	Each	9420051801172

LENGTH (mm)	DIA.	PRODUCT CODE	FINISH	SHANK	NAIL COUNT	WEIGHT	PACK/OUTER	GS1 BARCODE
Galvanised								
19	2.00	LFBS200019SL500G	Galvanised	Smooth	510	500G	6	9421023349630
27	2.80	LFBS280027SL500G	Galvanised	Smooth	180	500G	6	9421023349647
30	3.15	LFBS315030SL500G	Galvanised	Smooth	130	500G	6	9421023349654
40	4.00	LFBS400040SL500G	Galvanised	Smooth	60	500G	6	9421023349661
50	4.00	LFBS400050SL500G	Galvanised	Smooth	52	500G	6	9421023349678
19	2.00	LFBS200019SL500G	Galvanised	Smooth	510	500G	6	9421023349630
27	2.80	LFBS280027SL500G	Galvanised	Smooth	180	500G	6	9421023349647
30	3.15	LFBS315030SL500G	Galvanised	Smooth	130	500G	6	9421023349654
40	4.00	LFBS400040SL500G	Galvanised	Smooth	60	500G	6	9421023349661
50	4.00	LFBS400050SL500G	Galvanised	Smooth	52	500G	6	9421023349678
30	3.15	LFBS315030SL5KG	Galvanised	Smooth	1,300	5KG	4	9421023349685
40	4.00	LFBS400040SL5KG	Galvanised	Smooth	600	5KG	4	9421023349692
50	4.00	LFBS400050SL5KG	Galvanised	Smooth	520	5KG	4	9420051801271
30	3.15	LFBS315030SL20KG	Galvanised	Smooth	5,200	20KG	Each	9420051801189
40	4.00	LFBS400040SL20KG	Galvanised	Smooth	2,400	20KG	Each	9420051801196
50	4.00	LFBS400050SL20KG	Galvanised	Smooth	2,080	20KG	Each	9420051801202

ECKO T-REX17® 14G BATTEN SCREWS

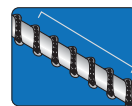
Pull Out Test



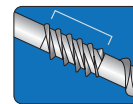
Features & Benefits



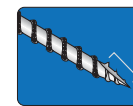
- **HEAD**
Bugle Head



- **T-REX TEETH**
Quicker & Easier to install



- **DOUBLE LOCKING THREAD**
Prevent pull out up to 50%



- **TYPE 17**
Self-piercing predrilling



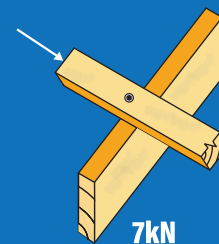
SALT SPRAY TEST
EXCEEDS 1000 HRS
**OUTDOOR
XGUARD**
- PREMIUM COATING -
INDEPENDENTLY TESTED
IN NEW ZEALAND

Pull Out Test

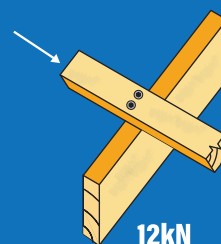
MEET AND BEAT NZ STANDARDS

The 14G x 100mm Batten Screw is the ideal fastener for fixing purlins to rafters or trusses, and complies with NZS3604:2011 requirements. The ECKO T-REX17® Batten Screw meets and exceeds national kN pull out standards.

Batten Screw
1 x ECKO 14G Batten Screw,
14G x 100mm, OutDoor XGuard



Batten Screw
2 x ECKO 14G Batten Screw,
14G x 100mm, OutDoor XGuard
(for purlin on edge)



OutDoor XGuard

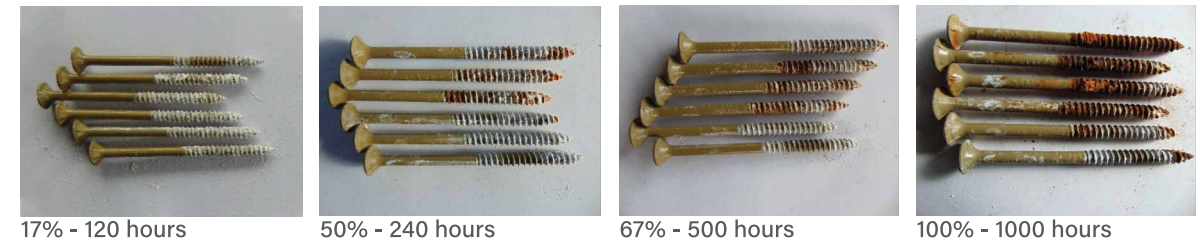
Premium Coating Salt Spray Test



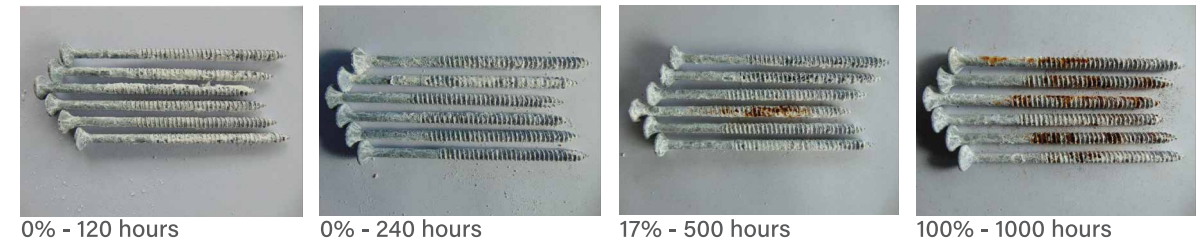
OBSERVATIONS & RESULT

Specimens Displaying Red Rust of Fasteners Shaft [%] & Examination Period [hours]

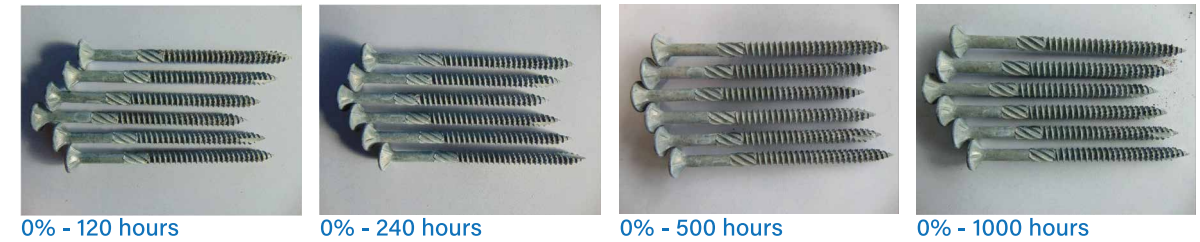
Other brand Class 3 Coating



Other brand Class 4 Galvanised



ECKO T-REX17® 14G Batten Screw OutDoor XGuard Premium Coating



SALT SPRAY TEST
EXCEEDS 1000 HRS
**OUTDOOR
XGUARD**
- PREMIUM COATING -
INDEPENDENTLY TESTED
IN NEW ZEALAND

- **Date:** 16 September 2019
- **Report Number:** 1610227.01
- **Report Name:** Continuous Neutral Salt Spray Test of Fasteners (1000 hours ASTM B117)
- **Report to:** ECKO Fastening Systems Ltd
17 Carpenter Road, East Tamaki, Auckland 2013, New Zealand
- **Prepared by:** Andreas Gabriel
Technical Director - Felix Research Laboratories Ltd.
- **Coating Description:** OutDoor XGuard Premium Coating

T-REX17® JOLTSCREW

6 TIMES MORE HOLDING POWER THAN JOLT HEAD NAILS!



APPLICATIONS
WEATHERBOARD
DOOR FRAME
WINDOWS



Date 25-06-21
Job # 20094
Revision C

POTIUS
BUILDING SYSTEMS LTD

ECKO T-REX17® 8G JoltScrew 316 Stainless Steel for weatherboard applications



Summary of Testing and Engineering Design.

Potius Building Systems has been engaged by ECKO Fastening Systems to assess the withdrawal capacity of their T-REX17® 8G JoltScrew 316 Stainless Steel for weatherboard applications. A series of pullout tests were performed with SG8 H1.2 framing (Radiata Pine) and 19mm H3 primed weatherboards (Radiata Pine) in accordance with AS1649 and NZS3603. With 30mm embedment of the screws into framing the following characteristic withdrawal values were obtained:

Fixing type	Withdrawal in pine - 31mm penetration (LPL - kN)	Head pull through in weatherboard - 19mm thick (LPL - kN)
SS 8Gx75mm	3.89	1.48
JH Nail 3.15x75mm	0.66	0.56
JH Nail 2.8x60mm	0.54	0.32

LPL – Lower Proportional Limit as per NZS3603

Note: The Jolt head nails were bright steel used in testing. Testing with Galvanised Jolt head nails may result in slightly higher pullout values.

The compliance path for non - structural claddings is by meeting the requirements of NZBC E2 External Moisture. This statement addresses the structural fixing capacity rating of the T-REX17® 8G JoltScrew at 600mm c/c structural supports by testing and structural calculation.

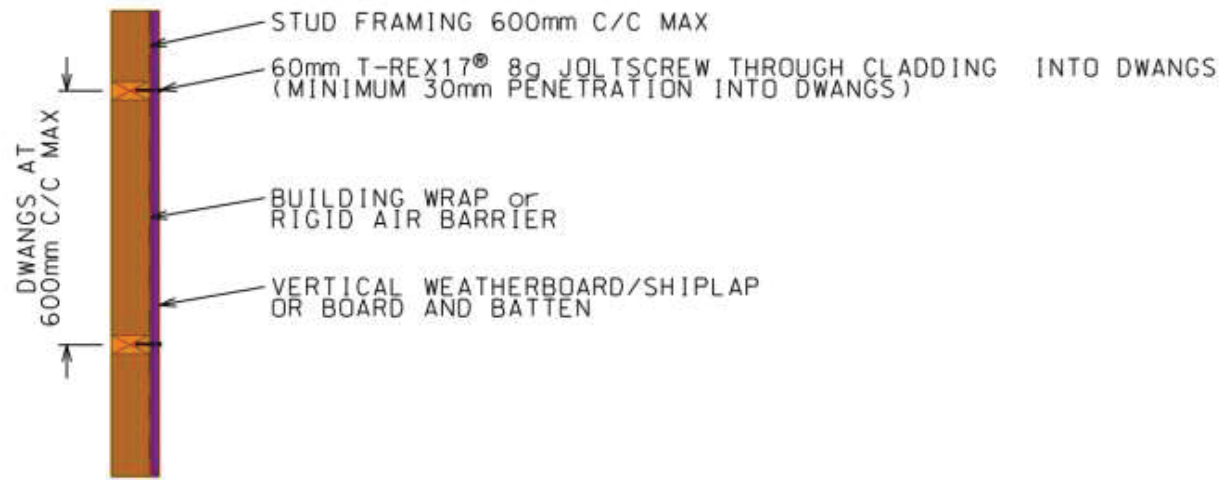
Engineering calculation based on a ULS wind pressure of 2.5kPa (E2/VM1 clause 1.3) has been performed to ensure the T-REX17® 8G JoltScrew have sufficient holding power fastened at 600mm c/c both for the weatherboard to battens and withdrawal from the framing timber also at 600mm c/c. For vertically direct-fixed weatherboards E2/AS1 states that dwangs must be at 480mm centers maximum (clause 9.1.8.5 & Table 24), however we have calculated that dwangs or Structural Battens at 600mm c/c also work with the holding force of the T-REX17® 8G JoltScrew. Where vertical cladding is fastened through the cladding into the Structural Framing or Structural Cavity Battens, 30mm penetration minimum into the structural framing or structural batten is required, refer to details 1-3 for the structural fixing details below.

Potius Building Systems Ltd

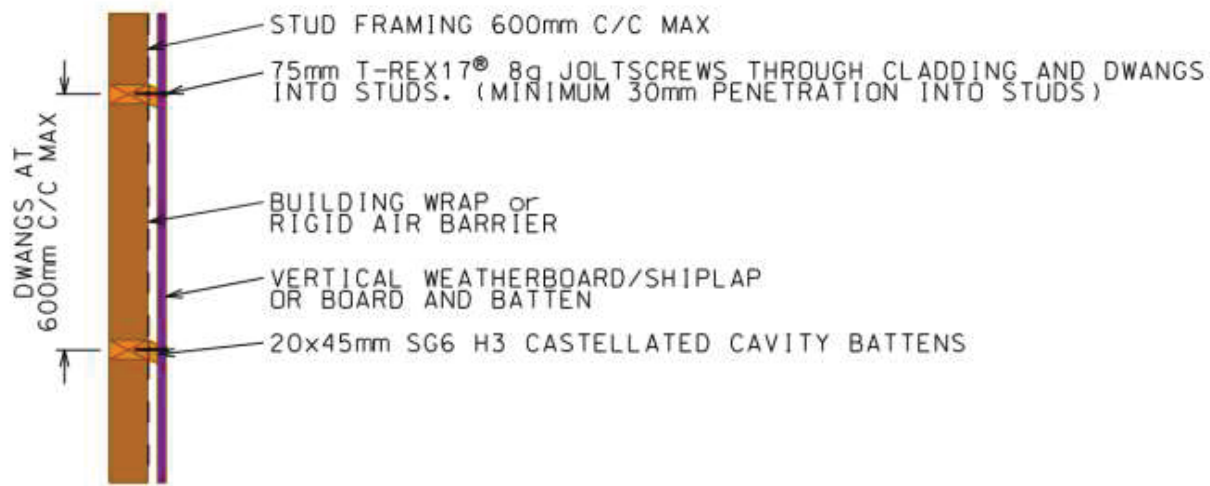
www.potius.co.nz

Directors: A Van Houtte (BE, ME, CPeng), G Robertson (BE, CPeng)

DIRECT FIXED



OVER 20mm CAVITY BATTENS



OVER 45mm CAVITY BATTENS



I believe on reasonable grounds that using T-REX17® 8G JoltScrew installed according to the details shown above will meet the requirements of E2 and be able to:

1. Resist the wind pressure causing suction of the weatherboard.
2. Resist movement between the framing and weatherboard that might loosen the fixing.

Regards

Andy Van Houtte

CMengNZ, CPEng, IntPE

Referenced Standards:

MBIE E2/AS1/VM1: External Moisture.

AS1649 Timber. Methods of tests for mechanical fasteners and connectors.

AS/NZS1170.0 B1 Use of test data for design.

NZS3603: Engineered Timber.

NZS3604: Timber Framed Buildings.

NZS3617 Profiles of Weatherboards, Fascia Boards and Flooring.

BRANZ BU411 – Recommended Timber Cladding Profiles.

BRANZ BU582 – Structurally Fixed Cavity Battens.

12 February 2021

To whom it may concern,

RE: ECKO T-REX17® OutDoor XGuard & SS316 JoltScrew

JoltScrew OutDoor XGuard



JoltScrew 316 SS



This letter is to certify that Southern Pine Products Ltd New Zealand's leading distributor and manufacturer of high-quality products has tested the ECKO T-REX17® JoltScrew OutDoor XGuard & SS316 in the follow Southern Pine Products:

SPP H3.1 Weatherboards / Vertical Shiplap / Scallop Rustic

The tests were carried out on the above lines from Southern Pine Products Ltd. Southern Pine Products Ltd fully endorses and supports the use of the ECKO T-REX17® JoltScrew OutDoor XGuard & SS316 when used in conjunction and installed in accordance with Southern Pine Products weatherboards installation instructions.

Best Regards,

Clinton Laing
General Manager

17 November 2020

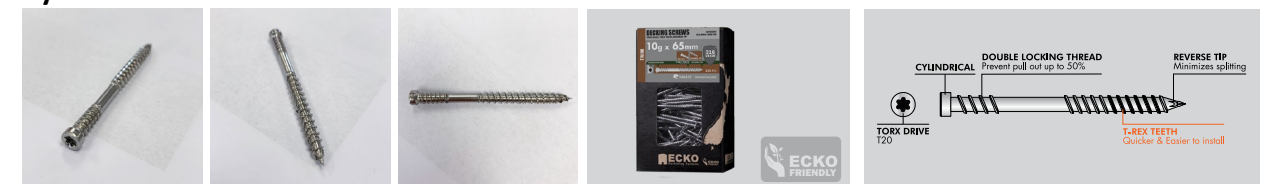
To whom it may concern,

RE: ECKO T-REX17 SS316 Decking Screws

Trim Head Screw



Cylindrical Head Screw



This letter is to certify that BBI Wood Products Ltd New Zealand's largest Hardwood Decking Wholesaler has tested the ECKO T-REX17® Trim Head & Cylindrical Head Decking Screws SS316 in the follow BBI Decking timbers:

Kwila / Garapa / Purple Heart / Vitex

The tests were carried out on the above lines from BBI Wood Products Ltd range. BBI Wood Products Ltd fully endorses and supports the use of the ECKO T-REX17® Trim Head & Cylindrical Head Decking Screws SS316 when used in conjunction and installed in accordance with BBI Wood Products Decking boards installation instructions.
**Pilot holes recommended (with appropriate countersinking tool for countersunk screws) for installation to obtain optimum finish and reduce potential splitting of timbers.*

Best Regards,

Rowe McGregor
General Manager



TECHNICAL SUPPORT

info@ecko.co.nz
(09) 279-0210
www.ecko.co.nz



@eckofasteners

