



*makes your job easier*



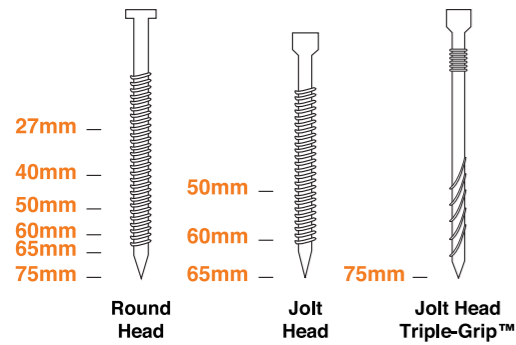
## CATALOGUE 2019

*CONSTRUCTION SERIES CORDLESS SERIES INDUSTRIAL SERIES LOOSE NAILS SERIES*

[www.eko.co.nz](http://www.eko.co.nz)

# HAMMAHAND® Weatherboard Nailer

Jolt head, Round head 15° angle wire coil and WirelessCoil nails  
27mm - 75mm



### Features & Benefits

- Triple-Grip™ Nail
- Save up to 80% in time and labour
- Covers a wide range of manual applications
- Accepts both wire welded and WirelessCoil nails without adjustment
- Light weight, magnesium body, tough nail magazine cover

### Applications

- Most James Hardie Building Products
- Weatherboard
- Tile & Slate underlay - RAB™ Board
- Ply bracing - HardieFlex™
- Cavity battens - HomeRAB™
- Soffit lining

### Specifications

Dimensions (mm)	L313 x W132 x H316
Weight	2.88 kg
Operating pressure	70 - 120 psi
Magazine capacity	300 nails
Fastener diameter	2.50 - 3.33mm
Fastener length	27 - 75mm

### Jolt Head, Round Head



WB75KIT

### Maintenance

Recommended 10 drops daily, disconnect the air hose, apply 10 drops of pneumatic oil into the nailer



PRODUCT CODE	DESCRIPTION	PER	CTN QTY
<b>ECKO HAMMAHAND® Weatherboard Nailing Systems</b>			
WB75	HAMMAHAND® WB75 Weatherboard Nailer (25mm-75mm)	Each	Each
P90	ECKO P90 AirPunch®	Each	Each
Xnose	ECKO Xnose® Hole Locator Attachment for Linea®	Each	Each
EK1501	ECKO V8compressor®	Each	Each
H0805S	ECKO Light weight air hose - 15 Metres	Set	Set
WB75KIT	HAMMAHAND® Combo Kit: WB75, V8, Air hose	Combo	Combo
H0805	ECKO Light weight air hose	Metre	Metre
OIL250	ECKO Premium Pneumatic Tool Lubricant 250ml	Each	6
<b>Jolt Head Coil Nails - Galvanised</b>			
JOG-50V8R	HAMMAHAND® Jolt head 50 x 2.8 Galvanised Ring WirelessCoil nails	Carton	3,000
JOG-60V8R	HAMMAHAND® Jolt head 60 x 2.8 Galvanised Ring WirelessCoil nails	Carton	3,000
JOG-65V8R	HAMMAHAND® Jolt head 65 x 2.8 Galvanised Ring WirelessCoil nails	Carton	3,000
JOG-75V8R	HAMMAHAND® Jolt head 75 x 3.15 Galvanised Wire Coil Triple-Grip™ nails	Carton	3,000
<b>Jolt Head Coil Nails - Stainless Steel</b>			
JOSS-50V8R	HAMMAHAND® Jolt head 50 x 2.8 S/Steel Ring WirelessCoil nails	Carton	1,000
JOSS-60V8R	HAMMAHAND® Jolt head 60 x 2.8 S/Steel Ring WirelessCoil nails	Carton	1,000
JOSS-65V8R	HAMMAHAND® Jolt head 65 x 2.8 S/Steel Ring WirelessCoil nails	Carton	1,000
JOSS-75V8R	HAMMAHAND® Jolt head 75 x 3.15 S/Steel Wire Coil Triple-Grip™ nails	Carton	1,000
<b>Round Head Hardened Steel Coil Nails - Galvanised</b>			
HHG-27V5R	HAMMAHAND® Round head 27 x 2.5 Galvanised Ring WirelessCoil nails	Carton	3,000
HHG-40V8R	HAMMAHAND® Round head 40 x 2.8 Galvanised Ring WirelessCoil nails	Carton	3,000
HHG-50V8R	HAMMAHAND® Round head 50 x 2.8 Galvanised Ring WirelessCoil nails	Carton	3,000
HHG-60V8R	HAMMAHAND® Round head 60 x 2.8 Galvanised Ring WirelessCoil nails	Carton	3,000
HHG-65V8R	HAMMAHAND® Round head 65 x 2.8 Galvanised Ring WirelessCoil nails	Carton	3,000
HHG-75V8R	HAMMAHAND® Round head 75 x 3.15 Galvanised Wire Coil Triple-Grip™ nails	Carton	3,000
<b>Round Head Coil Nails - Stainless Steel</b>			
HHSS-40V8R	HAMMAHAND® Round head 40 x 2.8 S/Steel Ring WirelessCoil nails	Carton	1,000
HHSS-50V8R	HAMMAHAND® Round head 50 x 2.8 S/Steel Ring WirelessCoil nails	Carton	1,000
HHSS-60V8R	HAMMAHAND® Round head 60 x 2.8 S/Steel Ring WirelessCoil nails	Carton	1,000
HHSS-65V8R	HAMMAHAND® Round head 65 x 2.8 S/Steel Ring WirelessCoil nails	Carton	1,000
HHSS-75V8R	HAMMAHAND® Round head 75 x 3.15 S/Steel Ring Wire Coil nails	Carton	1,000
<b>NAILScrew - Fire as a NAIL, Remove as a SCREW</b>			
SKL-8G50	NAILScrew - 8 gauge x 50mm Zinc	Carton	3,000
SKL-8G60	NAILScrew - 8 gauge x 60mm Zinc	Carton	3,000
SKL-8G65	NAILScrew - 8 gauge x 65mm Zinc	Carton	3,000



# HAMMAHAND® Airpunch®

## Air Punch

Jolt head  
50mm - 90mm



### Features & Benefits

- Endorsed by James Hardie for Linea® Weatherboard
- Save up to 80% in time and labour
- Consistent punching result
- Light weight, magnesium body

### Applications

- Nail Punch
- Timber Recycling



### Specifications

Dimensions (mm)	L242 x W56 x H235
Weight	0.8 kg
Operating pressure	50 - 100 psi
Magazine capacity	N/A
Fastener diameter	5.0mm
Fastener length	50 - 90mm



## Xnose

# HAMMAHAND® XNOSE®

## Hole locator attachment for weatherboard nailer

Jolt head  
50mm - 90mm

### Features & Benefits

- Endorsed by James Hardie for Linea® Weatherboard
- Save up to 80% in time and labour
- Accurate hole locator
- User friendly

### Specifications

Weight	0.1 kg
Fastener diameter	Up to 5.0mm wide



# HAMMAHAND® V8compressor®

## Construction Air Compressor

### Features & Benefits

- Light weight, easy carry
- Quick recovery
- Stable inside the vehicle
- Ultra-low voltage start

### Specifications

Horse power	1.5HP peak
Weight	18 kg
Pump type	Oil-less
SCFM@90psi	2.30
Pump-up time	35 seconds
Recovery time	10 seconds

### Air Hose

Light weight  
15 meters

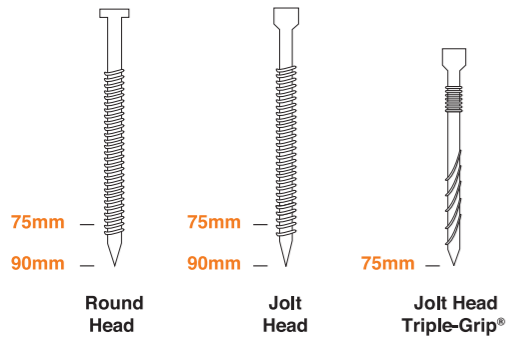




# HAMMAHAND®

## High Wind Zone Weatherboard Nailer

Jolt head, Round head 15° angle wire coil and WirelessCoil nails  
75mm - 90mm



### Features & Benefits

- Endorsed by James Hardie for high wind zone cladding
- Save up to 80% in time and labour
- Light weight, magnesium body
- Tough nail magazine cover
- Belt Hook
- Depth adjustment for precision nailing

### Applications

- High wind zone cladding
- Cavity battens
- RAB™ Board

### Specifications

Dimensions (mm)	L313 x W132 x H316
Weight	2.88 kg
Operating pressure	100 - 120 psi
Magazine capacity	300 nails
Fastener diameter	3.15 - 3.33mm
Fastener length	75 - 90mm

### Jolt Head, Round Head



### Maintenance

Recommended 10 drops daily, disconnect the air hose, apply 10 drops of pneumatic oil into the nailer



PRODUCT CODE	DESCRIPTION	PER	CTN QTY
<b>ECKO HAMMAHAND® High Wind Zone Weatherboard Nailer</b>			
WB90	HAMMAHAND® WB90 Weatherboard Nailer (50mm-90mm)	Each	Each
OIL250	ECKO Premium Pneumatic Tool Lubricant 250ml	Each	6
<b>Jolt Head Coil Nails - Galvanised</b>			
JOG-75V8R	HAMMAHAND® Jolt head 75 x 3.15 Galvanised Wire Coil Triple-Grip™ nails	Carton	3,000
JOG-90V8R	HAMMAHAND® Jolt head 90 x 3.15 Galvanised Ring Wire Coil Triple-Grip™ nail	Carton	3,000
<b>Jolt Head Coil Nails - Stainless Steel</b>			
JOSS-75V8R	HAMMAHAND® Jolt head 75 x 3.15 S/Steel Ring Wire Coil Triple-Grip™ nail	Carton	1,000
JOSS-90V8R	HAMMAHAND® Jolt head 90 x 3.15 S/Steel Ring Wire Coil Triple-Grip™ nail	Carton	1,000
<b>Round Head Hardened Steel Coil Nails - Galvanised</b>			
HHG-75V8R	HAMMAHAND® Round head 75 x 3.15 Galvanised Ring Wire Coil	Carton	3,000
<b>Round Head Coil Nails - Stainless Steel</b>			
HHSS-75V8R	HAMMAHAND® Round head 75 x 3.15 S/Steel Ring Wire Coil Triple-Grip™ nail	Carton	1,000
HHSS-90V8R	HAMMAHAND® Round head 90 x 3.15 S/Steel Ring Wire Coil nail	Carton	1,000

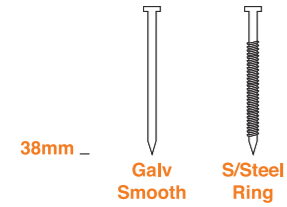


PN38

# Joist Hanger Nailer

## Joist Hanger Nailer

Round Head 34° angle paper collated  
38mm



### Features & Benefits

- One handed joist nailing
- Easy to locate connector holes
- Powerful - Will nail through the toughest timber surfaces
- User friendly
- Safe nailing process
- No wastage for product nails

### Applications

- Joist hanger and product nail installation
- Sub-floor strip brace to framing
- Strap brace and multibrace installation
- Nail on plate installation

### Specifications

Dimensions (mm) L292 x W124 x H237  
Weight 1.8 kg

### Maintenance

Recommended 10 drops daily, disconnect the air hose, apply 10 drops of pneumatic oil into the nailer



PRODUCT CODE	DESCRIPTION	PER	CTN QTY
<b>ECKO Joist Hanger Nailing Systems</b>			
PN38	ECKO PN38 Joist Hanger Nailer	Each	4
MC38	HAMMAHAND® MC38 BracketMaster Nailer	Each	4
OIL250	ECKO Premium Pneumatic Tool Lubricant 250ml	Each	6
<b>Joist Hanger Nails - Galvanised</b>			
JHMG-3338	38 x 3.33 Joist Hanger Nails Galvanised Smooth	Box	2,000
<b>Joist Hanger Nails - Stainless Steel</b>			
JHSS-3338	38 x 3.33 Joist Hanger Nails S/Steel Ring	Box	1,000

MC38

# BracketMaster Nailer

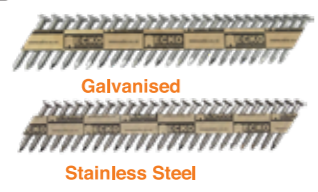
## Joist Hanger Nailer

Round Head 34° angle paper collated nails  
38mm

### Specifications

Dimensions (mm) L292 x W124 x H237  
Weight 1.8 kg  
Operating pressure 100 - 120 psi  
Magazine capacity 24 nails  
Fastener diameter 3.33mm  
Fastener length 38mm

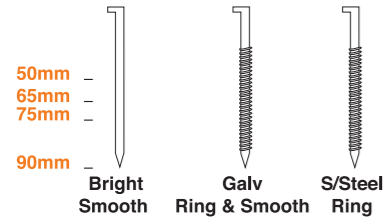
### Joist Hanger Nails



ND100S

# FrameTec100 Construction Air Framer

D Head & Round Head 34° angle paper collated  
50mm - 100mm



### Features & Benefits

- Accepts both D head and Round head paper collated 34° framing nails
- Anti-dry firing mechanism
- Easy jam clearing
- Aggressive nose design for skew nailing
- No-Mark pad

### Applications

- Framing
- Trusses
- Subflooring
- J Frame
- Decking
- Fencing



### Specifications

Driving power	1296.96 inch/lbs @ 120 psi
Dimensions (mm)	L428 x W138 x H363
Weight	3.44 kg
Operating pressure	100 - 120 psi
Magazine capacity	90 nails
Fastener diameter	2.87 - 3.15mm
Fastener length	50 - 100mm

### Maintenance

Recommended 10 drops daily, disconnect the air hose, apply 10 drops of pneumatic oil into the nailer



ND90S

# FrameTec90™ Construction Air Framer

D Head & Round Head 34° angle paper collated  
50mm - 90mm

### Specifications

Driving power	1099.32 inch/lbs
Dimensions (mm)	L448 x W151 x H336
Weight	3.56 kg

### Gasless Pack



Gasless Pack



D Head Framing Nails

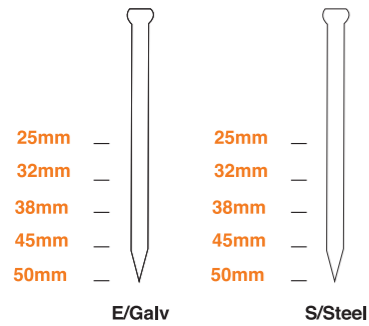


PRODUCT CODE	DESCRIPTION	PER	CTN QTY
<b>A34° Air Strip Nailer - Framing</b>			
ND90S	ECKO FrameTec90™ Air Framer	Each	Each
ND100S	ECKO FrameTec100 Air Framer - rear loading	Each	Each
OIL250	ECKO Premium Pneumatic Tool Lubricant 250ml	Each	6
<b>D Head Gasless Pack - Bright</b>			
ND-3465	65 x 2.87 D-head Bright Smooth	Carton	3,000
ND-3475	75 x 3.15 D-head Bright Smooth	Carton	3,000
ND-3488L	90 x 3.15 D-head Bright Smooth Long Strip	Carton	3,000
ND-3490SP	90 x 3.15 D-head Bright Smooth Shear Point	Carton	3,000
ND-3490S	90 x 3.15 D-head Bright Smooth	Carton	3,000
<b>D Head Gasless Pack - Galvanised</b>			
NDHP-3450R	50 x 2.87 D-head Galvanised Ring	Carton	3,000
NDHP-3465R	65 x 2.87 D-head Galvanised Ring	Carton	3,000
NDHP-3475R	75 x 3.15 D-head Galvanised Ring	Carton	3,000
NDHP-3490	90 x 3.15 D-head Galvanised Smooth	Carton	3,000
<b>D Head Gasless Pack - Stainless Steel</b>			
NDSS-3450R	50 x 2.87 D-head S/Steel Ring	Carton	1,000
NDSS-3465R	65 x 2.87 D-head S/Steel Ring	Carton	1,000
NDSS-3475R	75 x 3.05 D-head S/Steel Ring	Carton	1,000
NDSS-3490R	90 x 3.15 D-head S/Steel Ring	Carton	1,000
<b>D Head Gasless Handy Pack - Bright</b>			
ND-3465H	65 x 2.87 D-head Bright Smooth Handy Pack	Carton	1,000
ND-3475H	75 x 3.15 D-head Bright Smooth Handy Pack	Carton	1,000
ND-3490SH	90 x 3.15 D-head Bright Smooth Handy Pack	Carton	1,000
<b>D Head Gasless Handy Pack - Galvanised</b>			
NDHP-3450RH	50 x 2.87 D-head Galvanised Ring Handy Pack	Carton	1,000
NDHP-3465RH	65 x 2.87 D-head Galvanised Ring Handy Pack	Carton	1,000
NDHP-3475RH	75 x 3.15 D-head Galvanised Ring Handy Pack	Carton	1,000
NDHP-3490H	90 x 3.15 D-head Galvanised Smooth Handy Pack	Carton	1,000

AB1550FN

# ExteriorMaster® 15 Gauge Air Angle Bradder

FN Series, 15 gauge angle brads  
25mm - 50mm



### Features & Benefits

- Special hardened driver blade for Scyon® Axon® panel
- Titan® facade panel applications
- Light weight
- Magnesium body for job site durability
- Adjustable depth control
- No-Mark pad

### Applications

- Scyon® Axon® Panel
- Titan® Facade Panel
- Exterior and interior trim
- Door and window construction
- Decoration
- Light framing
- Cabinet work
- Interior finishing

### Specifications

Dimensions (mm)	L276 x W68 x H261
Weight	1.4 kg
Operating pressure	70 - 120 psi
Magazine capacity	86 nails
Fastener diameter	1.9 x 1.6mm
Fastener length	25 - 50mm

### 15 Gauge Angle Brads



### Maintenance

Recommended 10 drops daily, disconnect the air hose, apply 10 drops of pneumatic oil into the nailer



PRODUCT CODE	DESCRIPTION	PER	PACK QTY
<b>ECKO ExteriorMaster™ 15 Gauge Air Angle Bradder</b>			
AB1550FN	ECKO ExteriorMaster™ Air Angle Bradder 15ga	Each	Each
OIL250	ECKO Premium Pneumatic Tool Lubricant 250ml	Each	6
<b>15 Gauge Angle Brads - E/Galvanised</b>			
EC-1525	ECKO FN15/25mm E/Galvanised Brads	Pack	1,000
EC-1532	ECKO FN15/32mm E/Galvanised Brads	Pack	1,000
EC-1538	ECKO FN15/38mm E/Galvanised Brads	Pack	1,000
EC-1545	ECKO FN15/45mm E/Galvanised Brads	Pack	1,000
EC-1550	ECKO FN15/50mm E/Galvanised Brads	Pack	1,000
<b>15 Gauge Angle Brads - 304 Stainless Steel</b>			
ECSS-1525	ECKO FN15/25mm S/Steel Brads	Pack	1,000
ECSS-1532	ECKO FN15/32mm S/Steel Brads	Pack	1,000
ECSS-1538	ECKO FN15/38mm S/Steel Brads	Pack	1,000
ECSS-1545	ECKO FN15/45mm S/Steel Brads	Pack	1,000
ECSS-1550	ECKO FN15/50mm S/Steel Brads	Pack	1,000

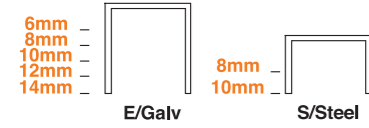




RD1116P

# Wrap-Tacker® Air Stapler

140/A11 series staples  
6mm - 14mm



### Applications

- Moisture wrap
- House wrap
- Roofing felt
- Foam sheathing insulation
- Labelling

### 140 Series Staples



Handy Pack



Trade Pack



9 421023 348350

### Specifications

Dimensions (mm)	L220 x W140 x H45
Weight	1.4 kg
Operating pressure	70 - 110 psi
Magazine capacity	100 staples
Staple length	6 - 14mm

### Maintenance

Recommended 10 drops daily, disconnect the air hose, apply 10 drops of pneumatic oil into the nailer



PRODUCT CODE	DESCRIPTION	PER	BOX QTY
<b>ECKO WRAP-TACKER® Air Stapler</b>			
RD1116P	ECKO Wrap-Tacker® Air Stapler	Each	10
<b>ECKO Hammer Tacker</b>			
XPRO	ECKO Xpro Hammer Tacker (6mm-14mm)	Each	10
LT1	ECKO LT1 H/D Staple Gun Tacker (6mm-14mm)	Each	10
<b>140 Series Staples Handy Pack - E/Galvanised (Similar to Rapid A11/140)</b>			
RD1106-2M	ECKO 140/6mm E/Galvanised Staples	Box	2,000
RD1108-2M	ECKO 140/8mm E/Galvanised Staples	Box	2,000
RD1110-2M	ECKO 140/10mm E/Galvanised Staples	Box	2,000
RD1112-2M	ECKO 140/12mm E/Galvanised Staples	Box	2,000
RD1114-2M	ECKO 140/14mm E/Galvanised Staples	Box	2,000
RD1114DP-2M	ECKO 140/14mm DP E/Galvanised Staples	Box	2,000
<b>140 Series Staples Trade Pack - E/Galvanised (Similar to Rapid A11/140)</b>			
RD1106-5M	ECKO 140/6mm E/Galvanised Staples	Box	5,000
RD1108-5M	ECKO 140/8mm E/Galvanised Staples	Box	5,000
RD1110-5M	ECKO 140/10mm E/Galvanised Staples	Box	5,000
RD1112-5M	ECKO 140/12mm E/Galvanised Staples	Box	5,000
RD1114-5M	ECKO 140/14mm E/Galvanised Staples	Box	5,000

LT1

## H/D Staple Gun Tacker Staple Gun Tacker

140 series staples  
6mm - 14mm



### Specifications

Dimensions (mm)	L250 x W30 x H150
Weight	1.8 kg
Staple length	6 - 14mm



9 421023 348213

XPRO

## Construction Hammer Tacker Construction Hammer Tacker

140 series staples  
6mm - 14mm



### Specifications

Dimensions (mm)	L310 x W30 x H75
Weight	1.8 kg
Staple length	6 - 14mm



9 421023 349029

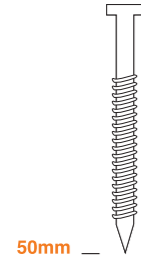


MT65

# MetaltileMaster™

## Metal Tile Roofing Nailer

All black coated galv, round head WirelessCoil nails  
50mm



### Features & Benefits

- Save up to 80% in time and labour
- Black coated WirelessCoil nails
- Accepts both wire welded and WirelessCoil nails without any adjustment
- Light weight, magnesium body, tough nail magazine cover

### Applications

- Metal tile roofing

### Specifications

Dimensions (mm)	L304 x W132 x H313
Weight	2.6 kg
Operating pressure	70 - 120 psi
Magazine capacity	250 - 350 nails
Fastener diameter	2.80mm
Fastener length	50mm

### All Black Coated Coil Nails



Weatherproof Bucket



WirelessCoil



### Maintenance

Recommended 10 drops daily, disconnect the air hose, apply 10 drops of pneumatic oil into the nailer



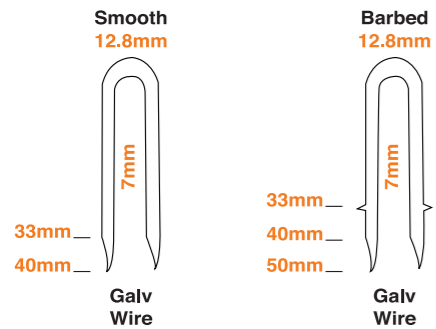
PRODUCT CODE	DESCRIPTION	PER	BUCKET QTY
<b>ECKO MetaltileMaster™ Nailer</b>			
MT65	ECKO MetaltileMaster™ MT65 Nailer	Each	Each
OIL250	ECKO Premium Pneumatic Tool Lubricant 250ml	Each	6
<b>Metal Tile Roof Coil Nails - Black Coated Galvanised (DUOFAST TYPE 0 DEGREE)</b>			
HHMT-50V8R	MetaltileMaster™ 50 x 2.8mm All Black Nails	Bucket	2,400

Interchangeable with Duo-Fast



# HAMMAHAND® BattenMaster™ Barb Stapler

3.15 series staple barbed, staple slice cut  
33mm - 50mm



### Features & Benefits

- Powerful for high density timber
- Reliability for huge volume fence construction
- Light weight
- Adjustable depth control

### Applications

- Rural livestock fencing
- Horticulture
- Rural heavy mesh and heavy woven fencing
- Highway boundary fencing

### Specifications

Dimensions (mm)	L33 x W104 x H354
Weight	2.86 kg
Operating pressure	80 - 120 psi
Magazine capacity	52 staples
Staple diameter	3.15mm
Staple length	33 - 50mm

### BattenMaster™ Staples



Weatherproof Bucket



Staple Barbed



Staple Slice Cut

### Maintenance

Recommended 10 drops daily, disconnect the air hose, apply 10 drops of pneumatic oil into the nailer



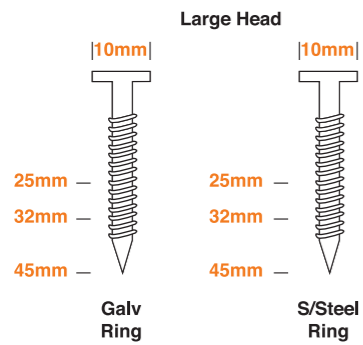
PRODUCT CODE	DESCRIPTION	PER	BUCKET QTY
<b>ECKO FBS50 BattenMaster™ Barb Stapler</b>			
FBS50	HAMMAHAND® FBS50 Barb Stapler (Barb & Smooth)	Each	Each
OIL250	ECKO Premium Pneumatic Tool Lubricant 250ml	Each	6
<b>BattenMaster™ Staples - 315 Series</b>			
FBS31533	ECKO BattenMaster™ Staples 3.15 x 33mm Galvanised	Bucket	2,700
FBS31540	ECKO BattenMaster™ Staples 3.15 x 40mm Galvanised	Bucket	2,100
<b>BattenMaster™ Staples Barbed - 315 Series</b>			
FBS31533BARB	ECKO BattenMaster™ Barbed Staples 3.15 x 33mm Galvanised	Bucket	2,100
FBS31540BARB	ECKO BattenMaster™ Barbed Staples 3.15 x 40mm Galvanised	Bucket	1,800
FBS31550BARB	ECKO BattenMaster™ Barbed Staples 3.15 x 50mm Galvanised	Bucket	1,400
<b>BattenMaster™ Staples Barbed - 400 Series</b>			
FBS40050BARB	ECKO BattenMaster™ Barbed Staples 4.00 x 50mm Galvanised	Bucket	1,000



# Shingle Roof Coil Nailer

## Shingle Roof Coil Nailer

Large head 15° angle wire coil collated  
25mm - 45mm



### Features & Benefits

- Light weight, magnesium body
- Tough nail magazine cover

### Applications

- HomeRAB®
- RAB board
- Shingle roofing
- Tile and slate underlay
- Asphalt shingle

### Specifications

Dimensions (mm)	L294 x W216 x H276
Weight	2.52 kg
Operating pressure	100 - 120 psi
Magazine capacity	120 nails
Fastener diameter	3.05mm
Fastener length	25 - 45mm

### Large Head Coil Nails



### Maintenance

Recommended 10 drops daily, disconnect the air hose, apply 10 drops of pneumatic oil into the nailer



PRODUCT CODE	DESCRIPTION	PER	CTN QTY
<b>Shingle Roof Coil Nails - 16° Wire Collated</b>			
<b>ECKO RABboard/Shingle Roof Coil Nailer</b>			
PA45	HAMMAHAND® PA45 Shingle Roof Coil Nailer	Each	Each
OIL250	ECKO Premium Pneumatic Tool Lubricant 250ml	Each	6
<b>Large Head Shingle Roof Coil Nails - Galvanised</b>			
RN-30525R	10mm Head - 25 x 3.05 Galvanised Shingle Roof Coil Nails	Carton	7,200
RN-30532R	10mm Head - 32 x 3.05 Galvanised Shingle Roof Coil Nails	Carton	7,200
RN-30545R	10mm Head - 45 x 3.05 Galvanised Shingle Roof Coil Nails	Carton	7,200
<b>Large Head Shingle Roof Coil Nails - Stainless Steel</b>			
RNSS-30525R	10mm Head - 25 x 3.05 S/Steel Shingle Roof Coil Nails	Carton	7,200
RNSS-30532R	10mm Head - 32 x 3.05 S/Steel Shingle Roof Coil Nails	Carton	7,200
RNSS-30545R	10mm Head - 45 x 3.05 S/Steel Shingle Roof Coil Nails	Carton	7,200





PNC1

# Palm Nailer

## Palm Nailer

Loose nails  
32mm - 178mm

### Features & Benefits

- Perfect for timber framing in construction site
- Ideal for driving loose nails in confined areas and for nailing of metal connectors and joist hangers
- Easier and simpler to use

### Applications

- Retaining wall
- Auto hammer

### Specifications

Dimensions (mm)	L132 x W82 x H124
Weight	1.18 kg
Operating pressure	100 - 120 psi
Magazine capacity	1 nail
Fastener diameter	2.87 - 4.1mm (standard nose)
	4.88 - 7.94mm (large nose) - optional
Fastener length	32 - 178mm



### Carry Case



### Maintenance

Recommended 10 drops daily, disconnect the air hose, apply 10 drops of pneumatic oil into the nailer



PRODUCT CODE	DESCRIPTION	PER	CTN QTY
<b>ECKO Palm Nailer</b>			
PNC1	ECKO Palm Nailer	Each	4
OIL250	ECKO Premium Pneumatic Tool Lubricant 250ml	Each	6



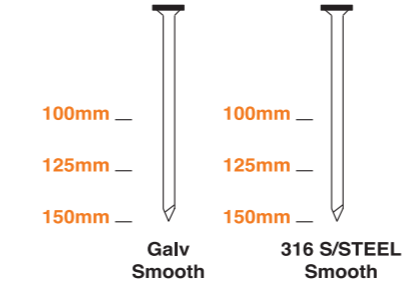
9 421023 348916

NR160

# CannonMaster™

## Strip Nailer

Strip nails  
100mm - 150mm



### Applications

- Retaining wall
- Boardwalk
- Landscaping

### Features & Benefits

- Magnesium body
- Tough nail magazine cover

### Specifications

Dimensions (mm)	L568 x W145 x H538
Weight	6.95 kg
Operating pressure	100 - 120 psi
Magazine capacity	60 nails
Fastener diameter	3.80 - 4.60mm
Fastener length	100 - 160mm

### Strip Nails



Weatherproof Bucket



### Maintenance

Recommended 10 drops daily, disconnect the air hose, apply 10 drops of pneumatic oil into the nailer



PRODUCT CODE	DESCRIPTION	PER	BUCKET QTY
<b>ECKO CannonMaster™ Strip Nailer</b>			
NR160	ECKO CannonMaster™ NR160 Nailer	Each	Each
NR160KIT	ECKO CannonMaster™ NR160 Nailer & Compressor & 100M air hose	Each	Each
NR160KIT-HIRE	ECKO CannonMaster™ NR160KIT Weekly Hire	Week	Set
OIL250	ECKO Premium Pneumatic Tool Lubricant 250ml	Each	6
<b>CannonMaster™ Strip Nails - Galvanised</b>			
NRHP-22100	ECKO CannonMaster™ 100mm Galvanised	Bucket	1100
NRHP-22125	ECKO CannonMaster™ 125mm Galvanised	Bucket	800
NRHP-22150	ECKO CannonMaster™ 150mm Galvanised	Bucket	500
<b>CannonMaster™ Strip Nails - 316 Stainless Steel</b>			
NRSS316-22100	ECKO CannonMaster™ 100mm 316 S/Steel	Bucket	550
NRSS316-22125	ECKO CannonMaster™ 125mm 316 S/Steel	Bucket	400
NRSS316-22150	ECKO CannonMaster™ 150mm 316 S/Steel	Bucket	250



9 421023 348916

# DA BRADS

## 15 Gauge Angle Brads Gasless Pack

DA series, 15 gauge angle finish brads  
25mm - 64mm

### 15 Gauge Gasless Finish Nailer NT1865DBAL



PRODUCT CODE	DESCRIPTION	PER	BOX QTY
<b>DA Series 15 Gauge Brads ( Mylar Taped ) ( Similar to Senco DA ) - E/Galvanised</b>			
BDG-1325	DA13 25mm Brads E/Galvanised	Box	3,000
BDG-1532	DA15 32mm Brads E/Galvanised	Box	3,000
BDG-1738	DA17 38mm Brads E/Galvanised	Box	3,000
BDG-1945	DA19 45mm Brads E/Galvanised	Box	3,000
BDG-2150	DA21 50mm Brads E/Galvanised	Box	3,000
BDG-2564	DA25 64mm Brads E/Galvanised	Box	3,000
<b>DA Series 15 Gauge Brads - S/Steel</b>			
BDSS-1325	DA13 25mm Brads S/Steel	Box	1,000
BDSS-1532	DA15 32mm Brads S/Steel	Box	1,000
BDSS-1738	DA17 38mm Brads S/Steel	Box	1,000
BDSS-1945	DA19 45mm Brads S/Steel	Box	1,000
BDSS-2150	DA21 50mm Brads S/Steel	Box	1,000
BDSS-2564	DA25 64mm Brads S/Steel	Box	1,000



Approved for use in HIKOKI Gasless Nailer

