



makes your job easier

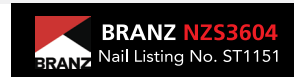
COLLATED FASTENERS

PRODUCT CATALOGUE

34° Paper Collated Strip Nails

D Head, Round Head & Jolt Head

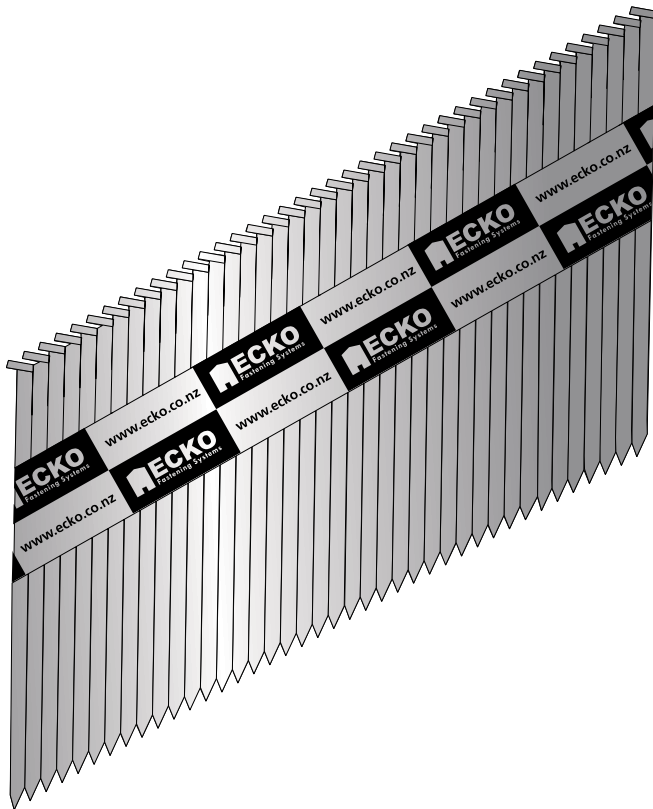
Purchase per Pack



90 x 3.15mm Bright D Head strip nails



90 x 3.15mm Galvanised D Head strip nails complies with NZS 3604:2011



HEAD TYPE

D Head	Round Head	Jolt Head

FINISH

Indoor Use	Outdoor Use	Outdoor / Sea Spray Zone Use

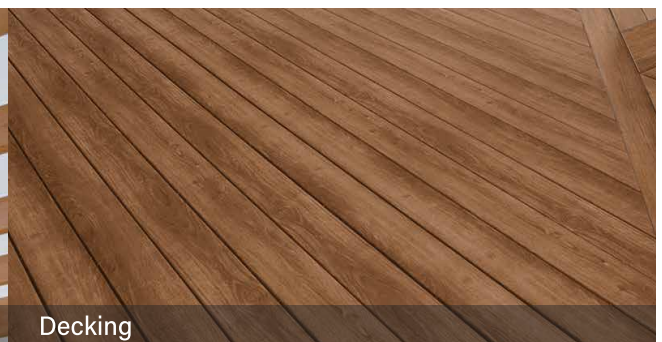
Gas Handy Pack
1000 nails + 1 fuel cell



Gas Pack
3000 nails + 3 fuel cells




Timber frames



Decking

*Please refer to the technical specification for fastener requirements or installation manual for each specific application you are working with.

34° Paper Collated Strip Nails - Gasless Pack

D Head, Round Head & Jolt Head

Purchase per Carton

Bright Smooth - Gasless Pack						
Head	Length (mm)	Diameter	Product Code	Description	Fuel Cell	PCS / Carton
D Head	65	2.87	ND-3465	D Head 65 x 2.87 Bright Smooth Gasless	-	3000
	65	2.87	ND-3465H	D Head 65 x 2.87 Bright Smooth Gasless	-	1000
	75	3.05	ND-3475	D Head 75 x 3.05 Bright Smooth Gasless	-	3000
	75	3.05	ND-3475H	D Head 75 x 3.05 Bright Smooth Gasless	-	1000
	90	3.15	ND-3490S	D Head 90 x 3.15 Bright Smooth Gasless	-	3000
	90	3.15	ND-3490SH	D Head 90 x 3.15 Bright Smooth Gasless	-	1000
	90	3.15	ND-3490SP	D Head 90 x 3.15 Bright Smooth Shear Point Gasless	-	3000
	90	3.15	ND-3488L	D Head 90 x 3.15 Bright Smooth Long Strip Gasless	-	3000
Galvanised Smooth / Ring - Gasless Pack						
Head	Length (mm)	Diameter	Product Code	Description	Fuel Cell	PCS / Carton
D Head	50	2.87	NDHP-3450R	D Head 50 x 2.87 HDG Ring Gasless	-	3000
	50	2.87	NDHP-3450RH	D Head 50 x 2.87 HDG Ring Gasless	-	1000
	65	2.87	NDHP-3465R	D Head 65 x 2.87 HDG Ring Gasless	-	3000
	65	2.87	NDHP-3465RH	D Head 65 x 2.87 HDG Ring Gasless	-	1000
	75	3.05	NDHP-3475R	D Head 75 x 3.05 HDG Ring Gasless	-	3000
	75	3.05	NDHP-3475RH	D Head 75 x 3.05 HDG Ring Gasless	-	1000
	90	3.15	NDHP-3490	D Head 90 x 3.15 HDG Smooth Gasless	-	3000
	90	3.15	NDHP-3490H	D Head 90 x 3.15 HDG Smooth Gasless	-	1000
Jolt Head	75	3.15	NJHP-3175R	Jolt Head 75 x 3.15 HDG Ring Gasless	-	3000
Round Head	50	2.87	OSR-3450R	Round Head 50 x 2.87 HDG Ring Gasless	-	1000
	65	2.87	OSR-3465R	Round Head 65 x 2.87 HDG Ring Gasless	-	1000
	75	3.05	OSR-3475R	Round Head 75 x 3.05 HDG Ring Gasless	-	1000
304 Stainless Steel Ring - Gasless Pack						
Head	Length (mm)	Diameter	Product Code	Description	Fuel Cell	PCS / Carton
D Head	50	2.87	NDSS-3450R	D Head 50 x 2.87 304 S/Steel Ring Gasless	-	1000
	65	2.87	NDSS-3465R	D Head 65 x 2.87 304 S/Steel Ring Gasless	-	1000
	75	3.05	NDSS-3475R	D Head 75 x 3.05 304 S/Steel Ring Gasless	-	1000
	90	3.15	NDSS-3490R	D Head 90 x 3.15 304 S/Steel Ring Gasless	-	1000
Round Head	50	2.87	OSRSS-3450R	Round Head 50 x 2.87 304 S/Steel Ring Gasless	-	1000
	65	2.87	OSRSS-3465R	Round Head 65 x 2.87 304 S/Steel Ring Gasless	-	1000
	75	3.05	OSRSS-3475R	Round Head 75 x 3.15 304 S/Steel Ring Gasless	-	1000

34° Paper Collated Strip Nails - Gas Pack

D Head, Round Head & Jolt Head

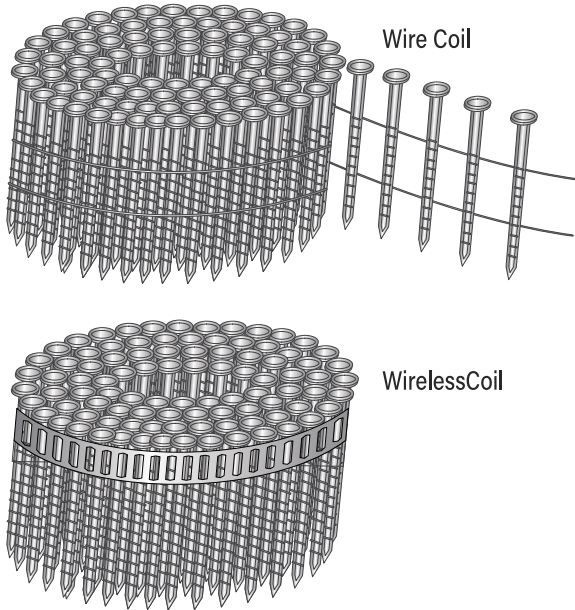
Purchase per Carton

Bright Smooth - Gas Pack						
Head	Length (mm)	Diameter	Product Code	Description	Fuel Cell	PCS / Carton
D Head	75	3.05	ND-3475V	D Head 75 x 3.05 Bright Smooth Gas Pack	3	3000
	75	3.05	ND-3475VH	D Head 75 x 3.05 Bright Smooth Gas Pack	1	1000
	90	3.15	ND-3490V	D Head 90 x 3.15 Bright Smooth Gas Pack	3	3000
	90	3.15	ND-3490VH	D Head 90 x 3.15 Bright Smooth Gas Pack	1	1000
Galvanised Smooth / Ring - Gas Pack						
Head	Length (mm)	Diameter	Product Code	Description	Fuel Cell	PCS / Carton
D Head	50	2.87	NDHP-3450RV	D Head 50 x 2.87 HDG Ring Gas Pack	3	3000
	50	2.87	NDHP-3450RVH	D Head 50 x 2.87 HDG Ring Gas Pack	1	1000
	65	2.87	NDHP-3465RV	D Head 65 x 2.87 HDG Ring Gas Pack	3	3000
	65	2.87	NDHP-3465RVH	D Head 65 x 2.87 HDG Ring Gas Pack	1	1000
	75	3.05	NDHP-3475RV	D Head 75 x 3.05 HDG Ring Gas Pack	3	3000
	75	3.05	NDHP-3475RVH	D Head 75 x 3.05 HDG Ring Gas Pack	1	1000
	90	3.15	NDHP-3490V	D Head 90 x 3.15 HDG Smooth Gas Pack	3	3000
	90	3.15	NDHP-3490VH	D Head 90 x 3.15 HDG Smooth Gas Pack	1	1000
Jolt Head	75	3.15	NJHP-3175RV	Jolt Head 75 x 3.15 HDG Ring Gas Pack	3	3000
Round Head	50	2.87	OSR-3450RV	Round Head 50 x 2.87 HDG Ring Gas Pack	1	1000
	65	2.87	OSR-3465RV	Round Head 65 x 2.87 HDG Ring Gas Pack	1	1000
	75	3.05	OSR-3475RV	Round Head 75 x 3.05 HDG Ring Gas Pack	1	1000
304 Stainless Steel Ring - Gas Pack						
Head	Length (mm)	Diameter	Product Code	Description	Fuel Cell	PCS / Carton
D Head	50	2.87	NDSS-3450RV	D Head 50 x 2.87 304 S/Steel Ring Gas Pack	1	1000
	65	2.87	NDSS-3465RV	D Head 65 x 2.87 304 S/Steel Ring Gas Pack	1	1000
	75	3.05	NDSS-3475RV	D Head 75 x 3.05 304 S/Steel Ring Gas Pack	1	1000
	90	3.15	NDSS-3490RV	D Head 90 x 3.15 304 S/Steel Ring Gas Pack	1	1000
Round Head	50	2.87	OSRSS-3450RV	Round Head 50 x 2.87 304 S/Steel Ring Gas Pack	1	1000
	65	2.87	OSRSS-3465RV	Round Head 65 x 2.87 304 S/Steel Ring Gas Pack	1	1000
	75	3.05	OSRSS-3475RV	Round Head 75 x 3.15 304 S/Steel Ring Gas Pack	1	1000
Fuel Cell						
Product Code				Description	PCS / Pack	
FC-CF325A				Fuel Cell 3PCS Pack	3	

HAMMAHAND® Weatherboard Coil Nails

15° Jolt Head & Round Head - Galvanised, 304 Stainless Steel

Purchase per Carton



HEAD TYPE

Round Head

Jolt Head

FINISH

Outdoor Use

Outdoor / Sea Spray Zone Use

ECKO-FRIENDLY PACKAGING
Recyclable



APPLICATIONS

- Most James Hardie Building Products
- Weatherboard Soffit lining
- Tile & Slate underlay RAB Board
- Ply bracing HomeRAB
- Cavity batten HardieFlex

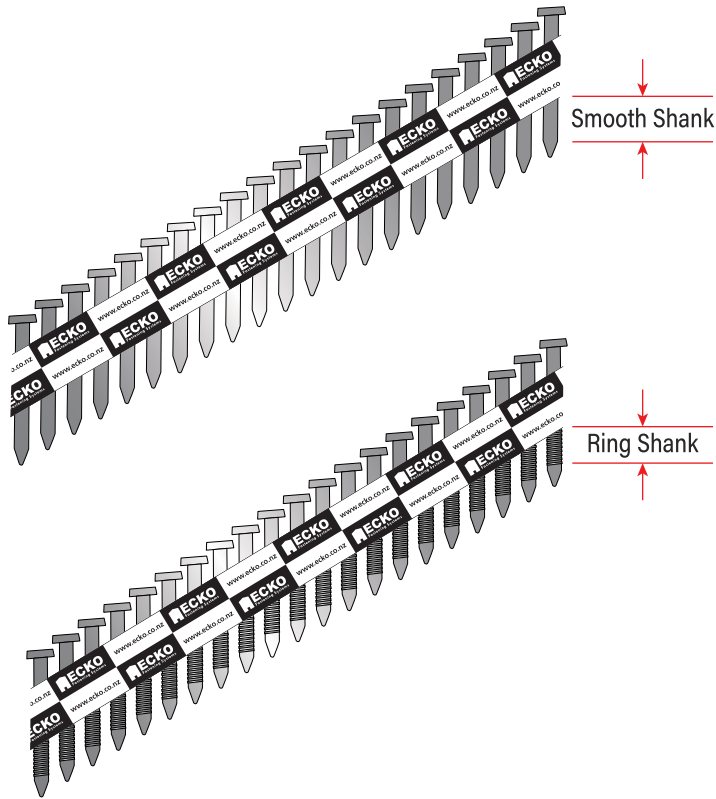
*Please refer to the technical specification for fastener requirements or installation manual for each specific application you are working with.

Galvanised Ring - Outdoor Use					
Head	Length (mm)	Diameter	Product Code	Description	PCS / Carton
Round Head	27	2.50	HHG-27V5R	HAMMAHAND® WirelessCoil Round Head 27 x 2.50 HDG Ring	3000
	40	2.80	HHG-40V8R	HAMMAHAND® WirelessCoil Round Head 40 x 2.80 HDG Ring	3000
	50	2.80	HHG-50V8R	HAMMAHAND® WirelessCoil Round Head 50 x 2.80 HDG Ring	3000
	60	2.80	HHG-60V8R	HAMMAHAND® WirelessCoil Round Head 60 x 2.80 HDG Ring	3000
	65	2.80	HHG-65V8R	HAMMAHAND® WirelessCoil Round Head 65 x 2.80 HDG Ring	3000
	75	3.15	HHG-75V8R	HAMMAHAND® Wire Coil Round Head 75 x 3.15 HDG Ring	3000
304 Stainless Steel Ring - Outdoor & Sea Spray Zone Use					
Head	Length (mm)	Diameter	Product Code	Description	PCS / Carton
Round Head	40	2.80	HHSS-40V8R	HAMMAHAND® WirelessCoil Round Head 40 x 2.80 304 S/Steel Ring	1000
	50	2.80	HHSS-50V8R	HAMMAHAND® WirelessCoil Round Head 50 x 2.80 304 S/Steel Ring	1000
	60	2.80	HHSS-60V8R	HAMMAHAND® WirelessCoil Round Head 60 x 2.80 304 S/Steel Ring	1000
	65	2.80	HHSS-65V8R	HAMMAHAND® WirelessCoil Round Head 65 x 2.80 304 S/Steel Ring	1000
	75	3.15	HHSS-75V8R	HAMMAHAND® Wire Coil Round Head 75 x 3.15 304 S/Steel Ring	1000
Galvanised Ring - Outdoor Use					
Head	Length (mm)	Diameter	Product Code	Description	PCS / Carton
Jolt Head	60	2.80	JOG-60V8R	HAMMAHAND® WirelessCoil Jolt Head 60 x 2.80 HDG Ring	3000
	65	2.80	JOG-65V8R	HAMMAHAND® WirelessCoil Jolt Head 65 x 2.80 HDG Ring	3000
	75	3.15	JOG-75V8RPC	HAMMAHAND® WirelessCoil Jolt Head 75 x 3.15 HDG Ring	3000
304 Stainless Steel Ring - Outdoor & Sea Spray Zone Use					
Head	Length (mm)	Diameter	Product Code	Description	PCS / Carton
Jolt Head	60	2.80	JOSS-60V8R	HAMMAHAND® WirelessCoil Jolt Head 60 x 2.80 304 S/Steel Ring	1000
	65	2.80	JOSS-65V8R	HAMMAHAND® WirelessCoil Jolt Head 65 x 2.80 304 S/Steel Ring	1000
	75	3.15	JOSS-75V8RPC	HAMMAHAND® WirelessCoil Jolt Head 75 x 3.15 304 S/Steel Ring	1000
	90	3.15	JOSS-90V8R	HAMMAHAND® Wire Coil Jolt Head 90 x 3.15 304 S/Steel Ring	1000

Joist Hanger Nails

34° Paper Collated - Galvanised, 304 Stainless Steel

Purchase per Carton



FINISH



Outdoor Use



Outdoor / Sea Spray Zone Use

ECKO-FRIENDLY PACKAGING

Recyclable



ECKO
Joist Hanger Nailer
PN38



Joist Hanger Installation

APPLICATIONS

Joist hanger and product nail installation Sub-floor strip brace to framing Strap brace and multibrace installation Nail on plate installation

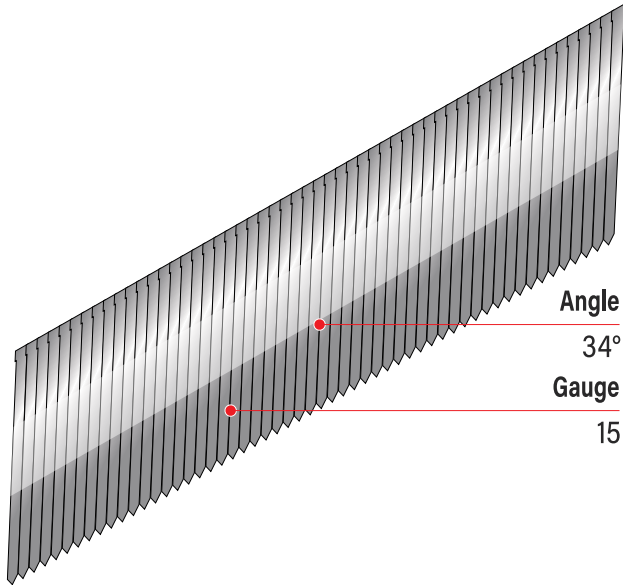
*Please refer to the technical specification for fastener requirements or installation manual for each specific application you are working with.

Galvanised Smooth - Outdoor Use				
Length (mm)	Diameter	Product Code	Description	PCS / Carton
38	3.33	JHMG-3338	Joist Hanger Nail 38 x 3.33 HDG Smooth	2000
304 Stainless Steel Ring - Outdoor & Sea Spray Zone Use				
Length (mm)	Diameter	Product Code	Description	PCS / Carton
38	3.33	JHSS-3338	Joist Hanger Nail 38 x 3.33 304 S/Steel Ring	1000

BDG / DA Angle Brad

15GA. 34° Angled Brads - Electro Galvanised, 304 Stainless Steel

Purchase per Pack



FINISH



Indoor Use



Outdoor / Sea
Spray Zone Use

TO SUIT

HIKOKI / MILWAUKEE / DeWALT / AEG
Suitable for major brands of 15GA. FN Bradders.

ECKO-FRIENDLY PACKAGING

Recyclable



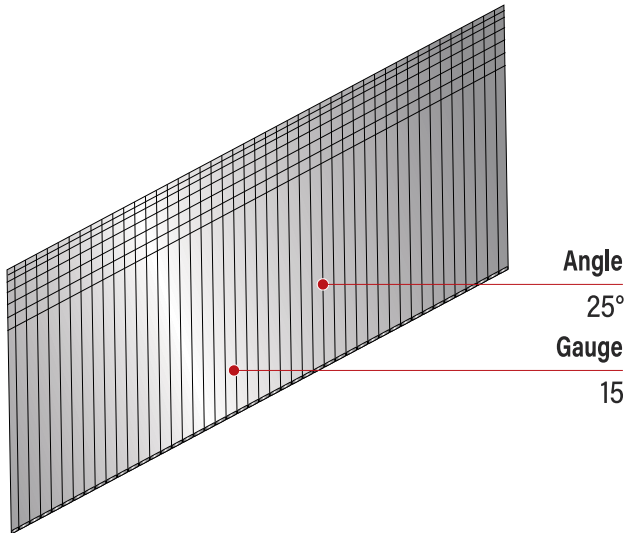
*Please refer to the technical specification for fastener requirements or installation manual for each specific application you are working with.

Electro Galvanised - Indoor Use				
Length (mm)	Diameter	Product Code	Description	PCS / Carton
25	15	BDG-1325	15GA 34° Angle Brads E/Galvanised DA13/25mm	3000
32	15	BDG-1532	15GA 34° Angle Brads E/Galvanised DA15/32mm	3000
38	15	BDG-1738	15GA 34° Angle Brads E/Galvanised DA17/38mm	3000
45	15	BDG-1945	15GA 34° Angle Brads E/Galvanised DA19/45mm	3000
50	15	BDG-2150	15GA 34° Angle Brads E/Galvanised DA21/50mm	3000
64	15	BDG-2564	15GA 34° Angle Brads E/Galvanised DA25/64mm	3000
304 Stainless Steel - Outdoor & Sea Spray Zone Use				
Length (mm)	Diameter	Product Code	Description	PCS / Carton
25	15	BDSS-1325	15GA 34° Angle Brads 304 S/Steel DA13/25mm	1000
32	15	BDSS-1532	15GA 34° Angle Brads 304 S/Steel DA15/32mm	1000
38	15	BDSS-1738	15GA 34° Angle Brads 304 S/Steel DA17/38mm	1000
45	15	BDSS-1945	15GA 34° Angle Brads 304 S/Steel DA19/45mm	1000
50	15	BDSS-2150	15GA 34° Angle Brads 304 S/Steel DA21/50mm	1000
64	15	BDSS-2564	15GA 34° Angle Brads 304 S/Steel DA25/64mm	1000

FN Angle Brad

15GA. 25° Angled Brads - Electro Galvanised, 304 Stainless Steel

Purchase per Pack



FINISH



Indoor Use



Outdoor / Sea
Spray Zone Use

TO SUIT

ECKO / BOSTITCH

Suitable for major brands of 15GA. FN Bradders.

ECKO-FRIENDLY PACKAGING

Recyclable



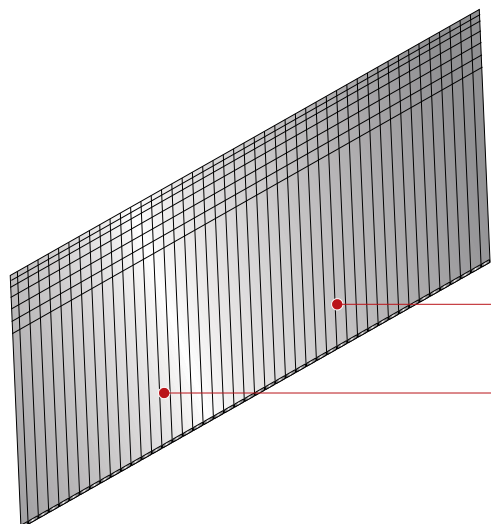
*Please refer to the technical specification for fastener requirements or installation manual for each specific application you are working with.

Electro Galvanised - Indoor Use				
Length (mm)	Diameter	Product Code	Description	PCS / Carton
25	15	EC-1525	15GA 25° Angle Brads E/Galvanised FN15/25mm	1000
32	15	EC-1532	15GA 25° Angle Brads E/Galvanised FN15/32mm	1000
38	15	EC-1538	15GA 25° Angle Brads E/Galvanised FN15/38mm	1000
45	15	EC-1545	15GA 25° Angle Brads E/Galvanised FN15/45mm	1000
50	15	EC-1550	15GA 25° Angle Brads E/Galvanised FN15/50mm	1000
304 Stainless Steel - Outdoor & Sea Spray Zone Use				
Length (mm)	Diameter	Product Code	Description	PCS / Carton
25	15	ECSS-1525	15GA 25° Angle Brads 304 S/Steel FN15/25mm	1000
32	15	ECSS-1532	15GA 25° Angle Brads 304 S/Steel FN15/32mm	1000
38	15	ECSS-1538	15GA 25° Angle Brads 304 S/Steel FN15/38mm	1000
45	15	ECSS-1545	15GA 25° Angle Brads 304 S/Steel FN15/45mm	1000
50	15	ECSS-1550	15GA 25° Angle Brads 304 S/Steel FN15/50mm	1000

AG16 Angle Brad - Gas & Gasless Pack

16GA. 20° Angled Brads - Electro Galvanised, 304 Stainless Steel

Purchase per Pack



Angle

20°

Gauge

16

FINISH



Indoor Use



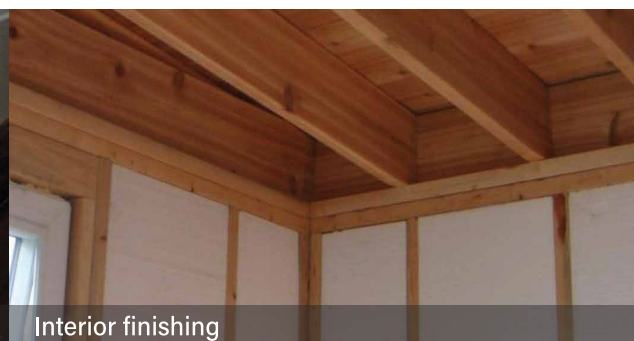
Outdoor / Sea
Spray Zone Use

TO SUIT

ECKO / PASLODE / HIKOKI / MILWAUKEE / DeWALT
Suitable for major brands of 16GA. Angled Bradders.



Skirting



Interior finishing

*Please refer to the technical specification for fastener requirements or installation manual for each specific application you are working with.

Gasless Pack

Electro Galvanised - Gasless Pack					
Length (mm)	Diameter	Product Code	Description	Fuel Cell	PCS / Carton
32	16	AG-1632	16GA 20° Angle Brads E/Galvanised 32 x 1.6mm	-	2000
38	16	AG-1638	16GA 20° Angle Brads E/Galvanised 38 x 1.6mm	-	2000
45	16	AG-1645	16GA 20° Angle Brads E/Galvanised 45 x 1.6mm	-	2000
50	16	AG-1650	16GA 20° Angle Brads E/Galvanised 50 x 1.6mm	-	2000
63	16	AG-1663	16GA 20° Angle Brads E/Galvanised 63 x 1.6mm	-	2000
304 Stainless Steel - Gasless Pack					
Length (mm)	Diameter	Product Code	Description	Fuel Cell	PCS / Carton
32	16	AGSS-1632	16GA 20° Angle Brads 304 S/Steel 32 x 1.6mm	-	2000
38	16	AGSS-1638	16GA 20° Angle Brads 304 S/Steel 38 x 1.6mm	-	2000
45	16	AGSS-1645	16GA 20° Angle Brads 304 S/Steel 45 x 1.6mm	-	2000
50	16	AGSS-1650	16GA 20° Angle Brads 304 S/Steel 50 x 1.6mm	-	2000
63	16	AGSS-1663	16GA 20° Angle Brads 304 S/Steel 63 x 1.6mm	-	2000

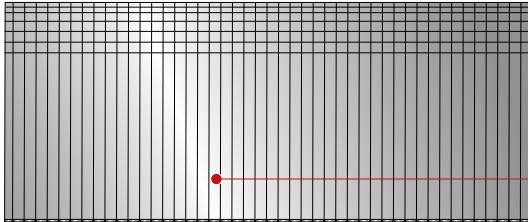
Gas Pack

Electro Galvanised - Gas Pack					
Length (mm)	Diameter	Product Code	Description	Fuel Cell	PCS / Carton
32	16	AG-1632V	16GA 20° Angle Brads E/Galvanised 32 x 1.6mm Gas Pack	2	2000
38	16	AG-1638V	16GA 20° Angle Brads E/Galvanised 38 x 1.6mm Gas Pack	2	2000
45	16	AG-1645V	16GA 20° Angle Brads E/Galvanised 45 x 1.6mm Gas Pack	2	2000
50	16	AG-1650V	16GA 20° Angle Brads E/Galvanised 50 x 1.6mm Gas Pack	2	2000
63	16	AG-1663V	16GA 20° Angle Brads E/Galvanised 63 x 1.6mm Gas Pack	2	2000
304 Stainless Steel - Gas Pack					
Length (mm)	Diameter	Product Code	Description	Fuel Cell	PCS / Carton
32	16	AGSS-1632V	16GA 20° Angle Brads 304 S/Steel 32 x 1.6mm Gas Pack	2	2000
38	16	AGSS-1638V	16GA 20° Angle Brads 304 S/Steel 38 x 1.6mm Gas Pack	2	2000
45	16	AGSS-1645V	16GA 20° Angle Brads 304 S/Steel 45 x 1.6mm Gas Pack	2	2000
50	16	AGSS-1650V	16GA 20° Angle Brads 304 S/Steel 50 x 1.6mm Gas Pack	2	2000
63	16	AGSS-1663V	16GA 20° Angle Brads 304 S/Steel 63 x 1.6mm Gas Pack	2	2000
Fuel Cell					
Product Code			Description	PCS / Outer	
FC-CF78B-1			Trim Cell 1pc (Suitable for bradders / finishing nailer)	10	

BC16 Straight Brad - Gas & Gasless Pack

16GA. Straight Brads - Electro Galvanised, 304 Stainless Steel

Purchase per Pack



Gauge
16



Indoor Use



Outdoor / Sea
Spray Zone Use

FINISH

TO SUIT

ECKO / PASLODE / HIKOKI / MILWAUKEE / DeWALT
Suitable for major brands of 16GA. Straight Bradders.



Skirting



Interior finishing

*Please refer to the technical specification for fastener requirements or installation manual for each specific application you are working with.

Gasless Pack

Electro Galvanised - Gasless Pack					
Length (mm)	Diameter	Product Code	Description	Fuel Cell	PCS / Carton
25	16	BC-1625	16GA C25 x 1.6mm E/Galvanised Straight Brads	-	2500
30	16	BC-1630	16GA C30 x 1.6mm E/Galvanised Straight Brads	-	2500
35	16	BC-1635	16GA C35 x 1.6mm E/Galvanised Straight Brads	-	2500
50	16	BC-1640	16GA C40 x 1.6mm E/Galvanised Straight Brads	-	2500
45	16	BC-1645	16GA C45 x 1.6mm E/Galvanised Straight Brads	-	2500
50	16	BC-1650	16GA C50 x 1.6mm E/Galvanised Straight Brads	-	2500
63	16	BC-1663	16GA C63 x 1.6mm E/Galvanised Straight Brads	-	2500
304 Stainless Steel - Gasless Pack					
Length (mm)	Diameter	Product Code	Description	Fuel Cell	PCS / Carton
25	16	BCSS-1625	16GA C25 x 1.6mm 304 S/Steel Straight Brads	-	2500
30	16	BCSS-1630	16GA C30 x 1.6mm 304 S/Steel Straight Brads	-	2500
38	16	BCSS-1638	16GA C38 x 1.6mm 304 S/Steel Straight Brads	-	2500
50	16	BCSS-1650	16GA C50 x 1.6mm 304 S/Steel Straight Brads	-	2500
63	16	BCSS-1663	16GA C63 x 1.6mm 304 S/Steel Straight Brads	-	2500

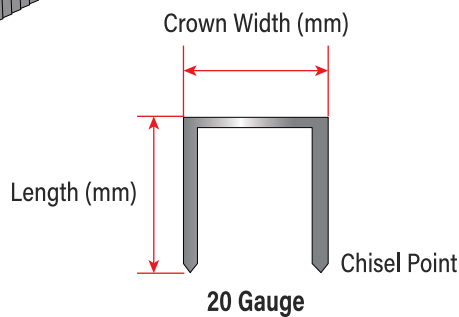
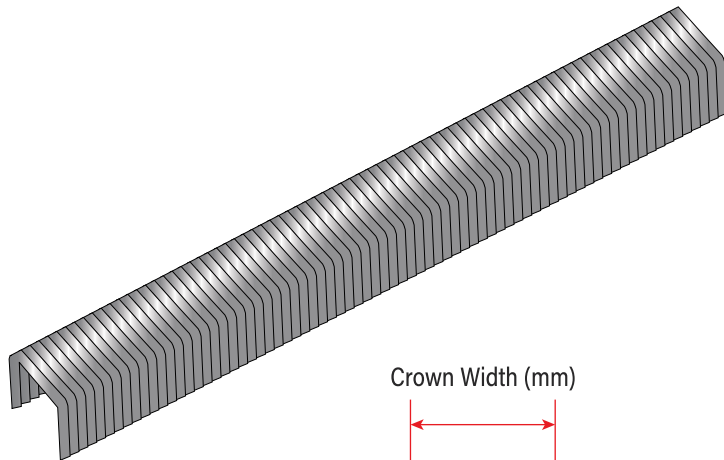
Gas Pack

Electro Galvanised - Gas Pack					
Length (mm)	Diameter	Product Code	Description	Fuel Cell	PCS / Carton
25	16	BC-1625V	16GA C25 x 1.6mm E/Galvanised Straight Brads Gas Pack	2	2500
30	16	BC-1630V	16GA C30 x 1.6mm E/Galvanised Straight Brads Gas Pack	2	2500
35	16	BC-1635V	16GA C35 x 1.6mm E/Galvanised Straight Brads Gas Pack	2	2500
50	16	BC-1640V	16GA C40 x 1.6mm E/Galvanised Straight Brads Gas Pack	2	2500
45	16	BC-1645V	16GA C45 x 1.6mm E/Galvanised Straight Brads Gas Pack	2	2500
50	16	BC-1650V	16GA C50 x 1.6mm E/Galvanised Straight Brads Gas Pack	2	2500
63	16	BC-1663V	16GA C63 x 1.6mm E/Galvanised Straight Brads Gas Pack	2	2500
304 Stainless Steel - Gas Pack					
Length (mm)	Diameter	Product Code	Description	Fuel Cell	PCS / Carton
25	16	BCSS-1625V	16GA C25 x 1.6mm 304 S/Steel Straight Brads Gas Pack	2	2500
30	16	BCSS-1630V	16GA C30 x 1.6mm 304 S/Steel Straight Brads Gas Pack	2	2500
38	16	BCSS-1638V	16GA C38 x 1.6mm 304 S/Steel Straight Brads Gas Pack	2	2500
50	16	BCSS-1650V	16GA C50 x 1.6mm 304 S/Steel Straight Brads Gas Pack	2	2500
63	16	BCSS-1663V	16GA C63 x 1.6mm 304 S/Steel Straight Brads Gas Pack	2	2500
Fuel Cell		Product Code	Description	PCS / Outer	
		FC-CF78B-1	Trim Cell 1pc (Suitable for bradders / finishing nailer)	10	

140 Series Staples

20GA. Staples

Purchase per Pack



FINISH



Indoor Use

APPLICATIONS

Moisture wrap Foam sheathing insulation
House wrap Labelling
Roofing felt

TO SUIT

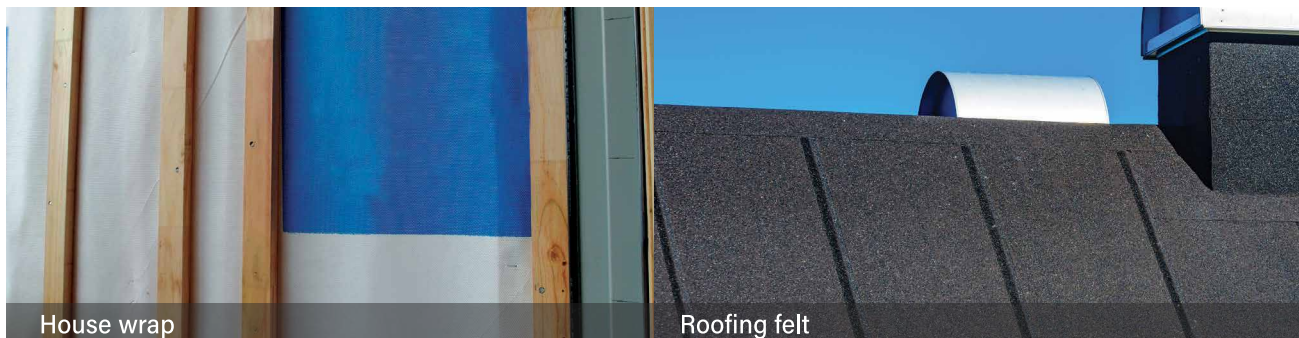
ECKO Wrap-Tacker® Air Stapler
RD1116P

ECKO Construction Hammer Tacker
XPRO

ECKO H/D Staple Gun Tacker
LT1

ECKO-FRIENDLY PACKAGING

Recyclable



*Please refer to the technical specification for fastener requirements or installation manual for each specific application you are working with.

Electro Galvanised - Indoor Use					
Length (mm)	Diameter	Crown Width (mm)	Product Code	Description	PCS / Box
8	20	10.8	RD1108-5M	A11-8mm E/Galvanised Staple	5000
10	20	10.8	RD1110-5M	A11-10mm E/Galvanised Staple	5000

RebarMaster® Rebar Wire

Harden Steel

Purchase per Carton



Dia. 0.8mm
100 metre per roll
120 ties / 3 wraps
160 ties / 2 wraps



Harden Steel

APPLICATIONS

Foundations
Floor heating
Commercial buildings
Road & Bridge
Precast plants

ECKO-FRIENDLY PACKAGING Recyclable



TO SUIT
ECKO RebarMaster™
Cordless Rebar Tool
XPOWERPLUS



Mesh

*Please refer to the technical specification for fastener requirements or installation manual for each specific application you are working with.

Cordless Rebar Tool		
Product Code	Description	QTY
EC-XPOWERPLUS	ECKO RebarMaster Cordless Rebar Tool (Li-ion Battery)	Each
XP-080G	RebarMaster™ Hardened rebar wire - 0.80mm	20 coils