

FrameFit Screw - Top Plate Fixing

ECKO's FrameFit Screw provides a fast, efficient and compliant solution for stud to top plate fixings.
BRANZ Tested to comply with NZS3604:2011 Type B Fixing (4.7kN)



Wafer Head

Sit flush, provide a smooth finish
Hex 6mm drive



TurboTIP
Engage within 1 second



INCLUDES
COMPLIANCE
TAGS



FrameFit Screw
BRANZ TESTED

Product Code	Size (mm)	Drive	Pack QTY	Application
FFS120-50	120	Hex 6mm	50	Stud to single top plate fixing
FFS165-50	165	Hex 6mm	50	Stud to double top plate fixing
FFS120TUB-350	120	Hex 6mm	350	Stud to single top plate fixing
FFS165TUB-300	165	Hex 6mm	300	Stud to double top plate fixing

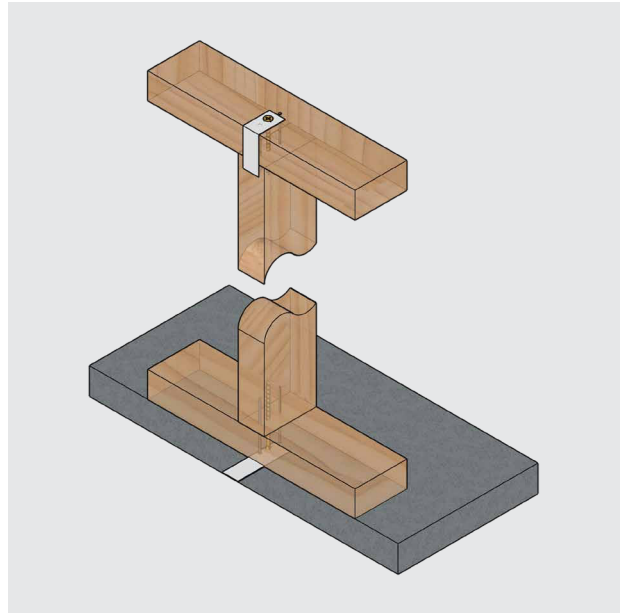
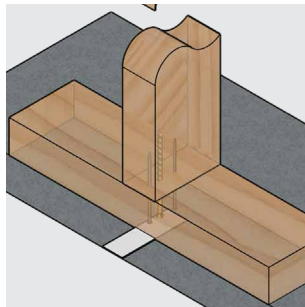
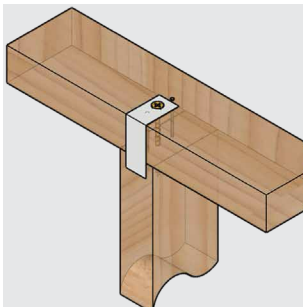
Included **Compliance Tags** and **Driver Bit** in every packet.
Hex 6mm **Driver Bit** included.



FrameFit Screw - Top Plate Fixing

ECKO's FrameFit Screw provides a fast, efficient and compliant solution for stud to top plate fixings.

- FrameFit screws have been tested to comply with Section 8 of NZS3604:2011 Type B Fixing 4.7kN.
- Faster installation than traditional wire dogs or strap fixings.
- Does not impact internal linings or rigid air barrier installation.
- Easily identified with provided tag for easy inspection.



Can be installed in the factory

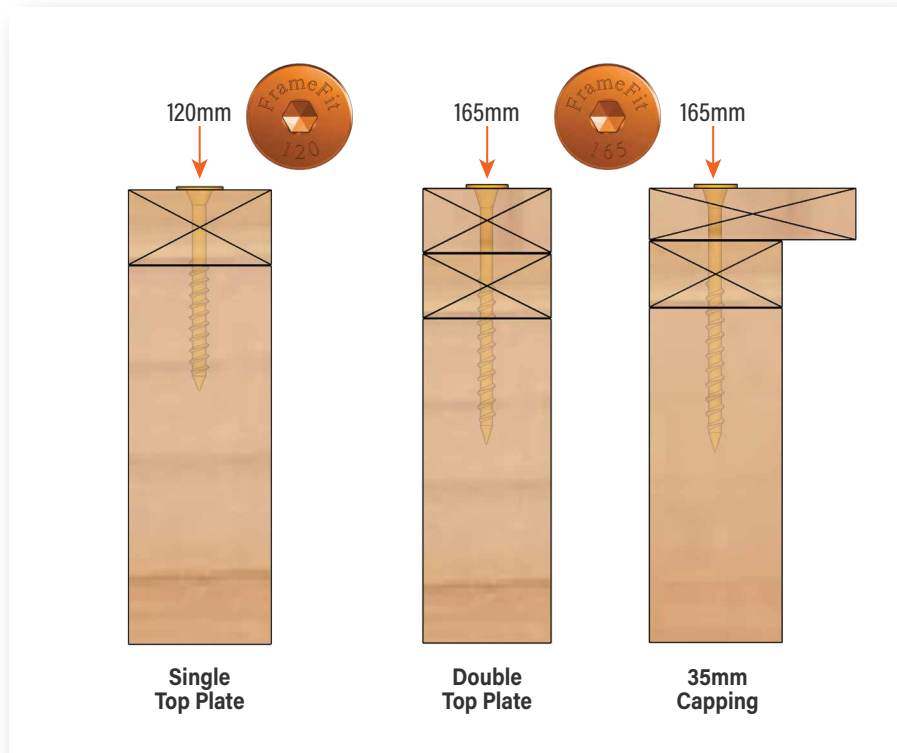
Two sizes cover most top plate arrangements (single, double, capping)



 Fastening Systems
 BRANZ tested to comply with NZS3604:2011
 Type B Fixing (4.7kN).


FrameFit™
 Screw
120
 Single Top Plate



 Fastening Systems
 CODE: FFS120-1

FrameFit™
 Screw
120
 Single Top Plate



120mm 
 Single Top Plate

165mm 
 Double Top Plate

165mm 
 35mm Capping