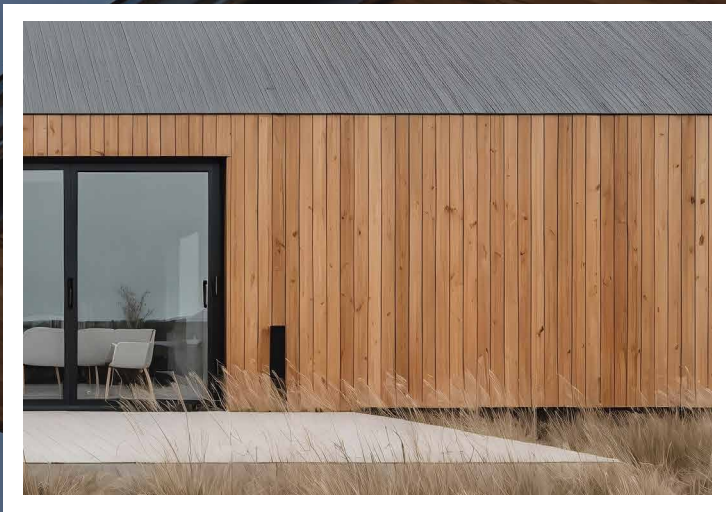


ECKO

Fastening Systems

makes your job easier



Countersunk	SplitShield Thread	Self-drilling Point	T20 TX Drive

 **TurboSpitze**™
Driven by Performance
CLADDING SCREW

Driven by Performance

Visit us www.ecko.co.nz



TurboSpitze™ CLADDING SCREW

Driven by Performance

Introducing our European Engineered Cladding Screw – the perfect solution for your weatherboard projects.

Crafted with precision and backed by **leading European engineering**, the TurboSpitze™ Cladding Screw ensures **easier installation and better performance for face fixed weatherboard than commonly used rose head nails**.

KEY FEATURES

- **European Engineered:** Designed with cutting-edge technology for optimal performance.
- **Premium Quality:** Made from high-quality materials to withstand the test of time and harsh weather conditions.
- **Endorsed by Industry Leaders:** Trusted by top cedar and thermally modified weatherboard suppliers for superior reliability.

KEY BENEFITS

- **Better Performance:** Our cladding screw provides more than 3x the holding capacity of the equivalent nail, meaning less movement in weatherboards (ie warping, cupping, etc)
- **Easier Installation:** The use of screws allows more control in the installation of the cladding and reduces the risk of damaging the boards. In addition, boards can be removed easily for maintenance/access.



Countersunk



SplitShield Thread



Self-Drilling Point



T20 TX Drive



SplitShield Thread: Prevent splitting the fibres of the timber during movement

**316 Stainless Steel
Bronze & Black**



Includes in every pack
Depth Jig, T20 Allen Key & T20 Driver Bit



CLADDING SCREW

Product Code	Size (mm)	Finish	Pack QTY
CLA316M560-250	5.5 x 60	316 S/Steel	250
CLA316M580-250	5.5 x 80	316 S/Steel	250
CLA316BZM560-250	5.5 x 60	316 S/Steel Bronze	250
CLA316BZM580-250	5.5 x 80	316 S/Steel Bronze	250
CLA316BKM560-250	5.5 x 60	316 S/Steel Black	250
CLA316BKM580-250	5.5 x 80	316 S/Steel Black	250

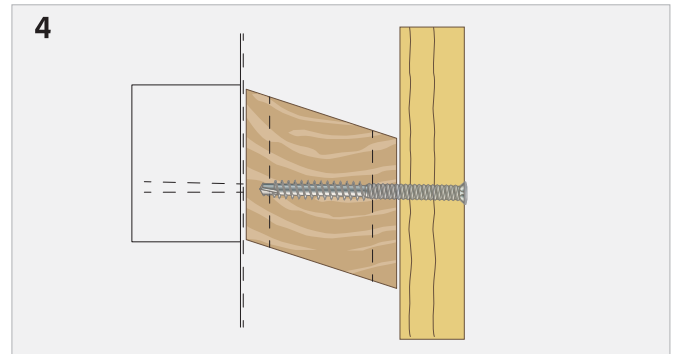
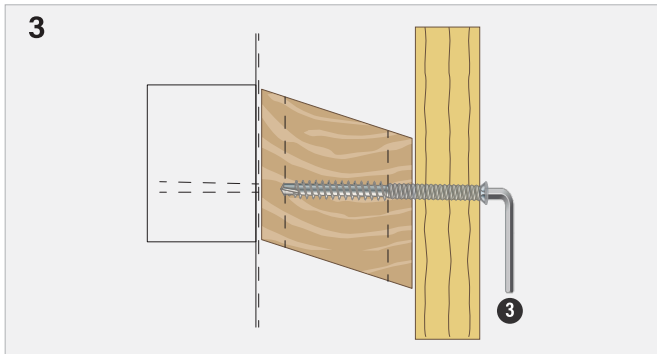
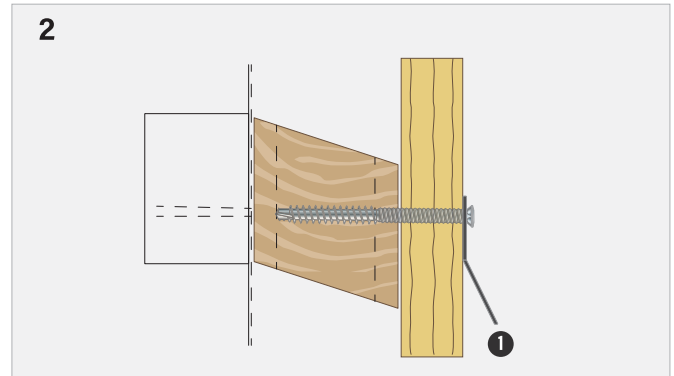
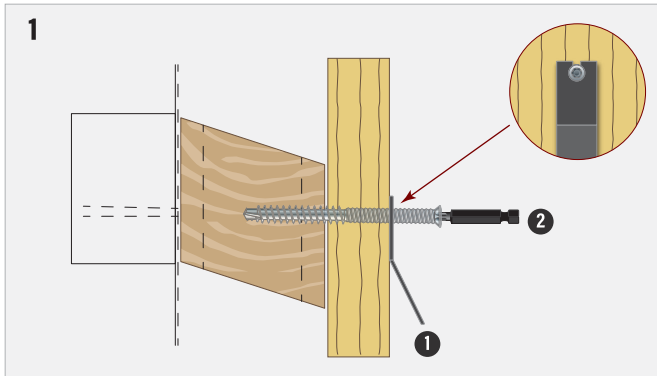
All 60 & 80mm packs include Depth Jig, T20 Allen Key & T20 Driver Bit to ensure proper installation.

NOTE Please refer to the technical specification or weatherboard suppliers specification for installation.

STRUCTURAL BATTEN SCREW

Product Code	Size (mm)	Finish	Pack QTY
CLA316M590-250	5.5 x 90	316 S/Steel	250

DEPTH JIG USE ① Jig ② Driver bit ③ Allen key



NOTE: Please follow cladding suppliers installation recommendations. All screws are required to be predrilled (3.5mm)

ENDORSED / SPECIFIED BY



Driven by Performance

Visit us www.eko.co.nz



ECKO
Fastening Systems



TurboSpitze™
Driven by Performance

Driven by Performance

Visit us www.ecko.co.nz